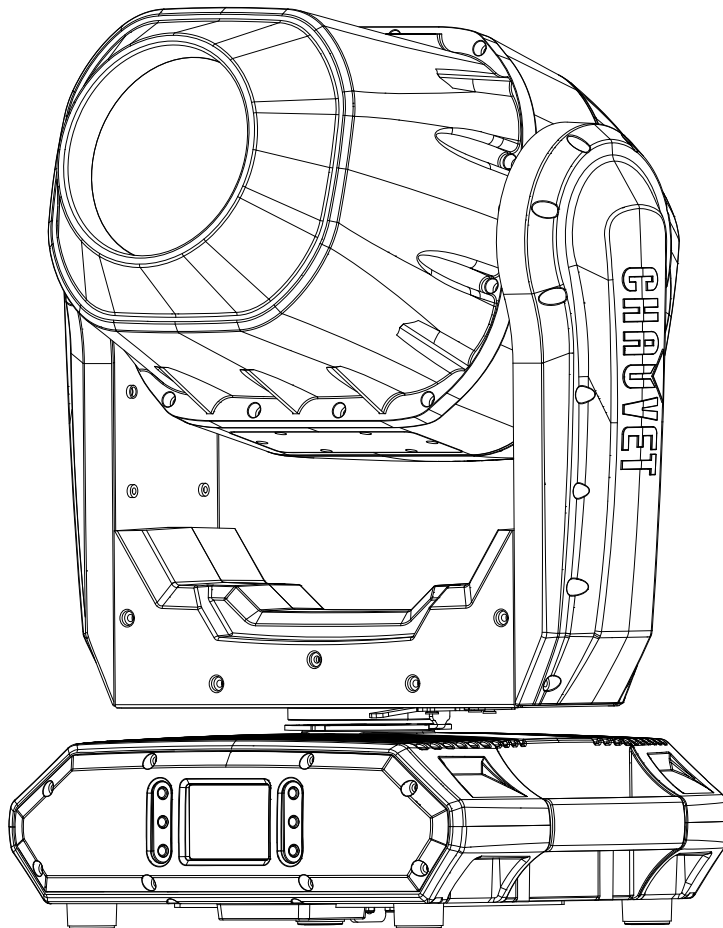


MAVERICK STORM 1 SPOT

Quick Reference Guide

English	EN
Español	ES
Français	FR
Deutsch	DE
Nederlands	NL



About This Guide

The Maverick Storm 1 Spot Quick Reference Guide (QRG) has basic product information such as connection, mounting, menu options, and DMX values. Download the User Manual from www.chauvetprofessional.com for more details.

Disclaimer

The information and specifications contained in this QRG are subject to change without notice.

LIMITED WARRANTY

FOR WARRANTY REGISTRATION AND COMPLETE TERMS AND CONDITIONS PLEASE VISIT OUR WEBSITE.

For Customers in the United States and Mexico: www.chauvetlighting.com/warranty-registration.

For Customers in the United Kingdom, Republic of Ireland, Belgium, the Netherlands, Luxembourg, France, and Germany: www.chauvetlighting.eu/warranty.

Chauvet warrants that this product shall be free from defects in material and workmanship under normal use, for the period specified in, and subject to the exclusions and limitations set forth in the full limited warranty on our website. This warranty extends only to the original purchaser of the product and is not transferable. To exercise rights under this warranty, you must provide proof of purchase in the form of an original sales receipt from an authorized dealer that shows the product name and date of purchase. THERE ARE NO OTHER EXPRESS OR IMPLIED WARRANTIES. This warranty gives you specific legal rights. You may also have other rights that vary from state to state and country to country. This warranty is valid only in the United States, United Kingdom, Republic of Ireland, Belgium, the Netherlands, Luxembourg, France, Germany and Mexico. For warranty terms in other countries, please consult your local distributor.

Safety Notes

These Safety Notes include important information about installation, use, and maintenance.

- DO NOT open this product. It contains no user-serviceable parts.
- DO NOT look at the light source when the product is on.
- To eliminate unnecessary wear and improve its lifespan, during periods of non-use completely disconnect the product from power via breaker or by unplugging it.
- CAUTION: When transferring product from extreme temperature environments, (e.g. cold truck to warm humid ballroom) condensation may form on the internal electronics of the product. To avoid causing a failure, allow product to fully acclimate to the surrounding environment before connecting it to power.
- CAUTION: This product's housing may be hot when lights are operating.
- Mount this product in a location with adequate ventilation, at least 20 in (50 cm) from adjacent surfaces.
- DO NOT leave any flammable material within 50 cm of this product while operating or connected to power.
- USE a safety cable when mounting this product overhead.
- DO NOT submerge this product (IP65). Regular outdoor operation is fine.
- DO NOT operate this product if the housing, lenses, or cables appear damaged.
- DO NOT connect this product to a dimmer or rheostat.
- ONLY connect this product to a grounded and protected circuit.
- ONLY use the hanging/mounting bracket or the handles to carry this product.
- In the event of a serious operating problem, stop using immediately.
- The maximum ambient temperature is 113 °F (45 °C). Do not operate this product at higher temperatures.
- The minimum startup temperature is -4°F (-20°C). Do not start the product at lower temperatures.
- The minimum ambient temperature is -22°F (-30°C). Do not operate the product at lower temperatures.

FCC Compliance

This device complies with Part 15 Part B of the FCC Rules. Operation is subject to the following two conditions:

1. This device may not cause harmful interference, and
2. This device must accept any interference received, including interference that may cause undesired operation.

Any changes or modifications not expressly approved by the party responsible for compliance could void the user's authority to operate the equipment.

RF Exposure Warning for North America, and Australia

Warning! This equipment complies with FCC radiation exposure limits set forth for an uncontrolled environment. This equipment should be installed and operated with a minimum distance of 20cm between the radiator and your body. This transmitter must not be co-located or operating in conjunction with any other antenna or transmitter.

Contact

Outside the US, United Kingdom, Ireland, Benelux, France, Germany, or Mexico, contact your distributor to request support or return a product. Refer to [Contact Us](#) at the end of this QRG for contact information.

What is Included

- Maverick Storm 1 Spot
- Seetronic Powerkon IP65 Power Cord
- 2 Omega Brackets with Mounting Hardware
- Quick Reference Guide

AC Power

This product has an auto-ranging power supply that can work with an input voltage range of 100–240 VAC, 50/60 Hz.

AC Plug

Connection	Wire (U.S.)	Wire (Europe)	Screw Color
AC Live	Black	Brown	Yellow/Brass
AC Neutral	White	Blue	Silver
AC Ground	Green/Yellow	Green/Yellow	Green



To eliminate wear and improve its lifespan, during periods of non-use completely disconnect the product from power via breaker or by unplugging it.

Replacing the Fuse

1. Disconnect this product from power.
2. Using a Phillips-head screwdriver, unscrew the fuse holder cap from the housing.
3. Remove blown fuse and replace with a good fuse of the same type and rating.
4. Screw the fuse holder cap back in place and reconnect power.

DMX Linking

The Maverick Storm 1 Spot will work with a DMX controller using a 5-pin DMX serial connection. A DMX Primer is available from www.chauvetprofessional.com.

DMX Connection

The Maverick Storm 1 Spot uses a 5-pin DMX data connection for its DMX personalities: **33Ch** and **26Ch**. See the User Manual for information about connecting and configuring the product for DMX operation.

Signal Connection

The Maverick Storm 1 Spot can link to controller software using an Ethernet connection. If using other Art-Net™ or sACN - compatible products with the Maverick Storm 1 Spot, you can control each individually on a single network. See the User Manual for information about how to connect and configure the product for these signals.

Art-Net™ Connection

Art-Net™ is an Ethernet protocol that uses TCP/IP which transfers a large amount of DMX512 data using an Neutrik® etherCON® RJ45 connection over a large network. An Art-Net™ protocol document is available from www.chauvetprofessional.com. Chauvet Professional recommends using unicast Art-Net™ for best results. Art-Net™ designed by and copyright Artistic Licence Holdings Ltd.

sACN Connection

Also known as ANSI E1.31, Streaming-ACN is an Ethernet protocol that uses the layering and formatting of Architecture for Control Networks to transport DMX512 data over IP or any other ACN compatible network.

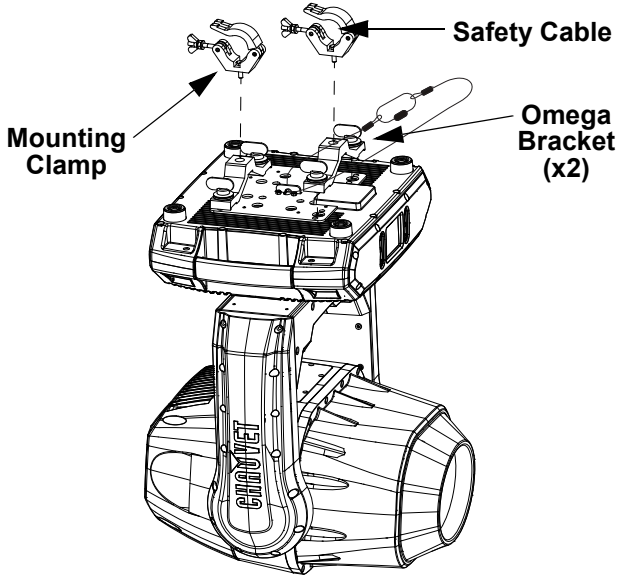
RDM (Remote Device Management)

Remote Device Management, or RDM, is a standard for allowing DMX-enabled devices to communicate bi-directionally along existing DMX cabling. Check the DMX controller's User Manual or with the manufacturer as not all DMX controllers have this capability. The Maverick Storm 1 Spot supports RDM protocol that allows feedback to make changes to menu map options. Download the User Manual from www.chauvetprofessional.com for more details.

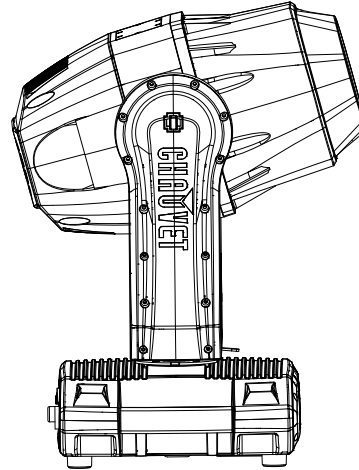
Mounting

Before mounting this product, read the [Safety Notes](#). Use at least two mounting points per product. Make sure the mounting clamps are capable of supporting the weight of the product. For our CHAUVET Professional line of mounting clamps, go to <http://trusst.com/products>.

Mounting Diagram



Overhead Mounting



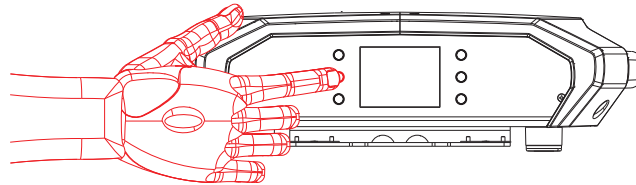
Surface Mounting

Control Panel Description

Button	Name	Function
< ↑ >	<UP>	Navigates upwards through the menu list or increases the numeric value when in a function
< ≡ >	<MENU>	Exits from the current menu or function
< ↓ >	<DOWN>	Navigates downwards through the menu list or decreases the numeric value when in a function
< ← >	<LEFT>	Navigates leftwards through the menu list
< ↵ >	<ENTER>	Enables the currently displayed menu or sets the currently selected value into the selected function
< → >	<RIGHT>	Navigates rightwards through the menu list

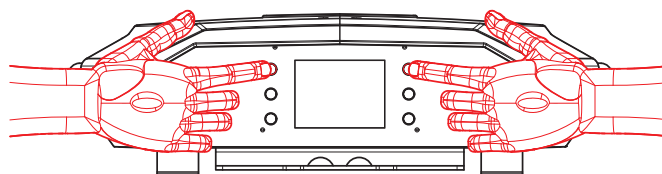
Battery Powered Display

Press and hold until menu screen appears (approx 15 sec.).



Followspot Mode

The followspot mode disables the pan and tilt motors, allowing the output of the product to be aimed by hand. To enable the followspot mode of the Maverick Storm 1 Spot, hold <UP> and <LEFT> while the product is powering on. When the product is turned off and back on, the pan and tilt will return to normal function.



Menu Map

Main Level	Programming Levels		Description
Address	000-512		Network Setting
Network Setup	IP Mode	Manual	Selection of IP mode
		DHCP	
		Static	
	Universe	000-255	Set the Universe
	Ip	-----	IP setting
	SubMask	-----	Subnet Mask
Personality	DMX 26CH	NO	Choose 26 Channels of DMX
		YES	
	DMX 33CH	NO	Choose 33 Channels of DMX
		YES	
Control Mode	DMX	Signal Selection	
	WDMX		
	ArtNet		
	sACN		
Pan Reverse	NO	Reverse the Pan	
	YES		
Tilt Reverse	NO	Reverse the Tilt	
	YES		
Screen Reverse	NO	Manually or automatically reverse the screen	
	YES		
	AUTO		
Pan Angle	540	Change the Pan angle	
	360		
	180		
Tilt Angle	270	Change the Tilt angle	
	180		
	90		
BL. O. P/T Move	NO	Enable/disable XY blackout	
	YES		
BL. O. Color Move	NO	Enable/disable color blackout	
	YES		
BL. O. Gobo Move	NO	Enable/disable gobo blackout	
	YES		
Lock Screen	NO	Lock the buttons and touchscreen	
	YES		
Swap XY	NO	Swap the pan and tilt	
	YES		
WDMX Reset	NO	Reset the wireless DMX	
	YES		
Backlight Timer	30S	Set the backlight to turn off automatically after a chosen time	
	1M		
	5M		
	ON		
Loss of Data	Hold	Loss of data setting	
	Close		
Fans	Auto	Change the fan speed mode	
	Full		
	ECO		
Theatrical Dimming	ON	Enable/Disable theatrical dimming	
	OFF		

QUICK REFERENCE GUIDE



EN

Main Level	Programming Levels		Description
Settings (cont.)	Dimmer Curve	Linear	Set the dimmer curve
		Square	
		I Squa	
		SCurve	
	PWM Option	600Hz	PWM selection
		1200Hz	
		2000Hz	
		4000Hz	
		6000Hz	
	Smart Zoom	OFF	Enable/Disable smart zoom feature
		ON	
	Beam Correction	OFF	Enable/Disable the beam correction
		ON	
	Preset Select	PRESET A	Recorded preset menu options
		PRESET B	
PRESET C			
Preset Sync	NO	Allows recorded preset menu options to be transferred to other Maverick Storm 1 Spots in the DMX daisy chain	
	YES		
Reset Function	Pan/Tilt	NO/YES	
	Iris/ Prism		
	Color/ CMY		
	Gobo/ Gobo Rotate		
	Frost All		
Factory Settings	NO	Reset all functions to factory	
	YES		

Main Level	Programming Levels		Description	
Test	Auto Test		Auto test the product	
	Manual Test	Pan	Individually test each function/channel	
		Pan Fine		
		Tilt		
		Tilt Fine		
		P/T Speed		
		Dimmer		
		Dimmer Fine		
		Shutter		
		Virtual Shaking		
		Cyan		
		Magenta		
		Yellow		
		CTO		
		Color		
		Gobo		
		Gobo Rotate		
		Gobo Index		000–255
		Gobo2		
		Animation		
		Animation Rotate		
		Focus		
		Focus Fine		
		Focus Auto		
		Zoom		
		Zoom Fine		
		Prism		
Prism Rotate				
Iris				
Frost				
Frost2				
CMY Macro				
CMY Macro Speed				
Special Function				

QUICK REFERENCE GUIDE



EN

Main Level	Programming Levels		Description	
Information	Fixture Information	Ver	V_	Current Version
		Running Mode	---	Current Mode
		DMX Address	---	
		Temperature	---	Current Temperature
		Fixture Hours	-----	Current active hours
		Ip	-----	Current IP address
		SubMask	-----	Current subnet mask
		MAC	-----	MAC address
	Fan Information	Base Fan1 Speed	----	View speed setting
		Base Fan2 Speed	----	
		head Fan1 Speed	----	
		head Fan2 Speed	----	
	Error Information	-----		Will appear on screen
	Channel Information	Frequency	Hz	Status of individual channel
		Pan	000-255	
		Pan Fine		
		Tilt		
		Tilt Fine		
		P/T Speed		
		Dimmer		
		Dimmer Fine		
		Shutter		
		Virtual Shaking		
		Cyan		
		Magenta		
		Yellow		
		CTO		
		Color		
		Gobo		
		Gobo Rotate		
		Gobo Index		
		Gobo2		
		Animation		
Animation Rotate				
Focus				
Focus Fine				
Focus Auto				
Zoom				
Zoom Fine				
Prism				
Prism Rotate				
Iris				
Frost				
Frost2				
CMY Macro				
CMY Macro Speed				
Special Function				

DMX Values
33Ch

Channel	Function	Value	Percent/Setting
1	Pan	000 ⇄ 255	0–100%
2	Fine Pan	000 ⇄ 255	Fine control (16-bit)
3	Tilt	000 ⇄ 255	0–100%
4	Fine Tilt	000 ⇄ 255	Fine control (16-bit)
5	Pan/Tilt Speed	000 ⇄ 255	Fast to slow
6	Dimmer	000 ⇄ 255	0–100%
7	Fine Dimmer	000 ⇄ 255	Fine control (16-bit)
8	Strobe	000 ⇄ 003	Closed
		004 ⇄ 007	Open
		008 ⇄ 076	Strobe, slow to fast
		077 ⇄ 145	Pulse strobe, slow to fast
		146 ⇄ 215	Random strobe, slow to fast
		216 ⇄ 255	Open
9	Virtual Strobe	000 ⇄ 001	No function
		002 ⇄ 128	Shaking strobe, slow to fast
		129 ⇄ 255	Fading shake, slow to fast
10	Cyan	000 ⇄ 255	0–100%
11	Magenta	000 ⇄ 255	0–100%
12	Yellow	000 ⇄ 255	0–100%
13	CTO	000 ⇄ 255	0–100%
14	Color Wheel	000 ⇄ 006	Open
		007 ⇄ 013	Red
		014 ⇄ 020	Orange
		021 ⇄ 027	Green
		028 ⇄ 034	Blue
		035 ⇄ 041	Magenta
		042 ⇄ 048	UV
		049 ⇄ 059	CTO
		060 ⇄ 187	Split color
		188 ⇄ 219	Color scroll, fast to slow
		220 ⇄ 223	Stop
		224 ⇄ 255	Reverse color scroll, slow to fast
15	Gobo Wheel 1	000 ⇄ 007	Open
		008 ⇄ 015	Gobo 1 (Sail Boats)
		016 ⇄ 023	Gobo 2 (Radial Dot)
		024 ⇄ 031	Gobo 3 (Mower Blade)
		032 ⇄ 039	Gobo 4 (Bolts)
		040 ⇄ 047	Gobo 5 (Shower Glass)
		048 ⇄ 055	Gobo 6 (Ballistic Clouds)
		056 ⇄ 063	Gobo 7 (Four Eyes)
		064 ⇄ 071	Gobo 7 shaking
		072 ⇄ 079	Gobo 6 shaking
		080 ⇄ 087	Gobo 5 shaking
		088 ⇄ 095	Gobo 4 shaking
		096 ⇄ 103	Gobo 3 shaking
		104 ⇄ 111	Gobo 2 shaking
		112 ⇄ 119	Gobo 1 shaking
		120 ⇄ 127	Open
		128 ⇄ 191	Gobo scroll, slow to fast
		192 ⇄ 255	Reverse gobo scroll, slow to fast

QUICK REFERENCE GUIDE



EN

Channel	Function	Value	Percent/Setting
16	Gobo 1 Rotate	000 ⇔ 063	Rotating gobo index
		064 ⇔ 145	Gobo rotation, fast to slow
		146 ⇔ 149	Stop
		150 ⇔ 231	Reverse gobo rotation, slow to fast
		232 ⇔ 255	Bounce effect, short to long
17	Gobo Wheel 1 Indexing	000 ⇔ 255	Fine control (16-bit)
18	Gobo Wheel 2	000 ⇔ 005	Open
		006 ⇔ 011	Gobo 1 (Beam)
		012 ⇔ 017	Gobo 2 (Bars)
		018 ⇔ 023	Gobo 3 (Circles)
		024 ⇔ 029	Gobo 4 (Breakup)
		030 ⇔ 035	Gobo 5 (Dots)
		036 ⇔ 041	Gobo 6 (Circuits)
		042 ⇔ 047	Gobo 7 (Triangles)
		048 ⇔ 053	Gobo 8 (Forest)
		054 ⇔ 063	Gobo 9 (Rainbows)
		064 ⇔ 069	Gobo 9 shaking
		070 ⇔ 075	Gobo 8 shaking
		076 ⇔ 081	Gobo 7 shaking
		082 ⇔ 087	Gobo 6 shaking
		088 ⇔ 093	Gobo 5 shaking
		094 ⇔ 099	Gobo 4 shaking
		100 ⇔ 105	Gobo 3 shaking
		106 ⇔ 111	Gobo 2 shaking
112 ⇔ 117	Gobo 1 shaking		
118 ⇔ 127	Open		
128 ⇔ 191	Gobo scroll, slow to fast		
192 ⇔ 255	Reverse gobo scroll, slow to fast		
19	Animation Wheel	000 ⇔ 255	Animation effect, 0–100%
20	Animation Wheel Rotate	000 ⇔ 124	Animation wheel rotation, fast to slow
		125 ⇔ 130	Stop
		131 ⇔ 255	Reverse animation wheel, slow to fast
21	Focus	000 ⇔ 255	0–100%
22	Fine Focus	000 ⇔ 255	Fine control (16-bit)
23	Auto Focus	000 ⇔ 010	No function
		011 ⇔ 030	0–5 m
		031 ⇔ 050	6 m
		051 ⇔ 070	7 m
		071 ⇔ 090	8 m
		091 ⇔ 110	9 m
		111 ⇔ 130	10 m
		131 ⇔ 150	12.5 m
		151 ⇔ 170	15 m
		171 ⇔ 190	17.5 m
		191 ⇔ 210	20–60 m
		211 ⇔ 255	Auto-detect distance
24	Zoom	000 ⇔ 255	0–100%
25	Fine Zoom	000 ⇔ 255	Fine control (16-bit)
26	Prism	000 ⇔ 004	No function
		005 ⇔ 255	Prism effect
27	Prism Rotate	000 ⇔ 127	Rotating prism index
		128 ⇔ 189	Prism rotation, fast to slow
		190 ⇔ 193	Stop
		194 ⇔ 255	Reverse prism rotation, slow to fast

Channel	Function	Value	Percent/Setting
28	Iris	000 ⇔ 063	Big to small
		064 ⇔ 127	Auto change, slow to fast
		128 ⇔ 191	Slow expand, fast shrink (slow to fast)
		192 ⇔ 255	Slow shrink, fast expand (slow to fast)
29	Frost 1	000 ⇔ 255	0–100%
30	Frost 2	000 ⇔ 255	0–100%
31	CMY Macro	000 ⇔ 009	No function
		010 ⇔ 255	CMY macro
32	CMY Macro Speed	000 ⇔ 255	CMY macro speed, fast to slow
33	Control	000 ⇔ 007	No function
		008 ⇔ 015	XY blackout
		016 ⇔ 023	C blackout
		024 ⇔ 031	G blackout
		032 ⇔ 039	XY/C blackout
		040 ⇔ 047	XY/G blackout
		048 ⇔ 055	XY/C/G blackout
		056 ⇔ 095	No function
		096 ⇔ 103	X reset
		104 ⇔ 111	Y reset
		112 ⇔ 119	Color reset
		120 ⇔ 127	Gobo wheels and rotation reset
		128 ⇔ 135	No function
		136 ⇔ 143	Prism reset
		144 ⇔ 151	No function
		152 ⇔ 159	All reset
		160 ⇔ 167	Iris reset
		168 ⇔ 175	Frost reset
		176 ⇔ 183	No function
		184 ⇔ 191	CMY reset
		192 ⇔ 199	Fan ECO mode
		200 ⇔ 207	Fan full speed
		208 ⇔ 215	Fan auto
		216 ⇔ 220	No function
		221 ⇔ 225	Iris fast mode
		226 ⇔ 230	Iris smooth mode
		231 ⇔ 235	XY swap on
		236 ⇔ 240	XY swap off
241 ⇔ 245	No function		
246 ⇔ 250	XY smooth mode		
251 ⇔ 255	XY fast mode		

QUICK REFERENCE GUIDE



EN

26Ch

Channel	Function	Value	Percent/Setting
1	Pan	000 ⇔ 255	0–100%
2	Fine Pan	000 ⇔ 255	Fine control (16-bit)
3	Tilt	000 ⇔ 255	0–100%
4	Fine Tilt	000 ⇔ 255	Fine control (16-bit)
5	Pan/Tilt Speed	000 ⇔ 255	Fast to slow
6	Dimmer	000 ⇔ 255	0–100%
7	Strobe	000 ⇔ 003	Closed
		004 ⇔ 007	Open
		008 ⇔ 076	Strobe, slow to fast
		077 ⇔ 145	Pulse strobe, slow to fast
		146 ⇔ 215	Random strobe, slow to fast
		216 ⇔ 255	Open
8	Virtual Strobe	000 ⇔ 001	No function
		002 ⇔ 128	Shaking strobe, slow to fast
		129 ⇔ 255	Fade in/out, slow to fast
9	Cyan	000 ⇔ 255	0–100%
10	Magenta	000 ⇔ 255	0–100%
11	Yellow	000 ⇔ 255	0–100%
12	CTO	000 ⇔ 255	0–100%
13	Color Wheel	000 ⇔ 006	Open
		007 ⇔ 013	Red
		014 ⇔ 020	Orange
		021 ⇔ 027	Green
		028 ⇔ 034	Blue
		035 ⇔ 041	Magenta
		042 ⇔ 048	UV
		049 ⇔ 059	CTO
		060 ⇔ 187	Split color
		188 ⇔ 219	Color scroll, fast to slow
		220 ⇔ 223	Stop
		224 ⇔ 255	Reverse color scroll, slow to fast
14	Gobo Wheel 1	000 ⇔ 007	Open
		008 ⇔ 015	Gobo 1 (Sail Boats)
		016 ⇔ 023	Gobo 2 (Radial Dot)
		024 ⇔ 031	Gobo 3 (Mower Blade)
		032 ⇔ 039	Gobo 4 (Bolts)
		040 ⇔ 047	Gobo 5 (Shower Glass)
		048 ⇔ 055	Gobo 6 (Ballistic Clouds)
		056 ⇔ 063	Gobo 7 (Dots)
		064 ⇔ 071	Gobo 7 shaking
		072 ⇔ 079	Gobo 6 shaking
		080 ⇔ 087	Gobo 5 shaking
		088 ⇔ 095	Gobo 4 shaking
		096 ⇔ 103	Gobo 3 shaking
		104 ⇔ 111	Gobo 2 shaking
		112 ⇔ 119	Gobo 1 shaking
		120 ⇔ 127	Open
		128 ⇔ 191	Gobo scroll, slow to fast
		192 ⇔ 255	Reverse gobo scroll, slow to fast
15	Gobo 1 Rotate	000 ⇔ 063	Rotating gobo index
		064 ⇔ 145	Gobo rotation, fast to slow
		146 ⇔ 149	Stop
		150 ⇔ 231	Reverse gobo rotation, slow to fast
		232 ⇔ 255	Bounce effect

Channel	Function	Value	Percent/Setting
16	Gobo Wheel 2	000 ⇔ 005	Open
		006 ⇔ 011	Gobo 1 (Beam)
		012 ⇔ 017	Gobo 2 (Bars)
		018 ⇔ 023	Gobo 3 (Circles)
		024 ⇔ 029	Gobo 4 (Breakup)
		030 ⇔ 035	Gobo 5 (Four Eyes)
		036 ⇔ 041	Gobo 6 (Circuits)
		042 ⇔ 047	Gobo 7 (Triangles)
		048 ⇔ 053	Gobo 8 (Forest)
		054 ⇔ 063	Gobo 9 (Rainbows)
		064 ⇔ 069	Gobo 9 shaking
		070 ⇔ 075	Gobo 8 shaking
		076 ⇔ 081	Gobo 7 shaking
		082 ⇔ 087	Gobo 6 shaking
		088 ⇔ 093	Gobo 5 shaking
		094 ⇔ 099	Gobo 4 shaking
		100 ⇔ 105	Gobo 3 shaking
		106 ⇔ 111	Gobo 2 shaking
112 ⇔ 117	Gobo 1 shaking		
118 ⇔ 127	Open		
128 ⇔ 191	Gobo scroll, slow to fast		
192 ⇔ 255	Reverse gobo scroll, slow to fast		
17	Animation Wheel	000 ⇔ 255	Animation effect
18	Animation Wheel Rotate	000 ⇔ 255	Animation wheel rotation, fast to slow
		000 ⇔ 255	Stop
		000 ⇔ 255	Reverse animation wheel, slow to fast
19	Focus	000 ⇔ 255	0–100%
20	Zoom	000 ⇔ 255	0–100%
21	Prism	000 ⇔ 004	No function
		005 ⇔ 255	Prism effect
22	Prism Rotate	000 ⇔ 127	Rotating prism 1 index
		128 ⇔ 189	Prism 1 rotation, fast to slow
		190 ⇔ 193	Stop
		194 ⇔ 255	Reverse prism 1 rotation, slow to fast
23	Iris	000 ⇔ 063	Big to small
		064 ⇔ 127	Auto change, slow to fast
		128 ⇔ 191	Slow zoom out, fast zoom in (slow to fast)
		192 ⇔ 255	Slow zoom in, fast zoom out (slow to fast)
24	Frost 1	000 ⇔ 255	0–100%
25	Frost 2	000 ⇔ 255	0–100%

QUICK REFERENCE GUIDE



EN

Channel	Function	Value	Percent/Setting
26	Control	000 ⇔ 007	No function
		008 ⇔ 015	XY blackout
		016 ⇔ 023	C blackout
		024 ⇔ 031	G blackout
		032 ⇔ 039	XY/C blackout
		040 ⇔ 047	XY/G blackout
		048 ⇔ 055	XY/C/G blackout
		056 ⇔ 095	No function
		096 ⇔ 103	X reset
		104 ⇔ 111	Y reset
		112 ⇔ 119	Color reset
		120 ⇔ 127	Gobo wheels and rotation reset
		128 ⇔ 135	No function
		136 ⇔ 143	Prisms reset
		144 ⇔ 151	Framing shutter reset
		152 ⇔ 159	All reset
		160 ⇔ 167	Iris reset
		168 ⇔ 175	Frost reset
		176 ⇔ 183	Zoom reset
		184 ⇔ 191	CMY reset
		192 ⇔ 199	Fan low speed
		200 ⇔ 207	Fan full speed
		208 ⇔ 215	Fan auto
		216 ⇔ 220	No function
		221 ⇔ 225	Iris fast mode
		226 ⇔ 230	Iris smooth mode
		231 ⇔ 235	XY swap on
		236 ⇔ 240	XY swap off
		241 ⇔ 245	No function
		246 ⇔ 250	XY smooth mode
		251 ⇔ 255	XY fast mode

Acerca de esta Guía

La Guía de Referencia Rápida (GRR) del Maverick Storm 1 Spot contiene información básica sobre el producto, como conexión, montaje, opciones de menú y valores DMX. Descargue el Manual de Usuario de www.chauvetprofessional.com para información más detallada.

Exención de Responsabilidad

La información y especificaciones contenidas en esta GRR están sujetas a cambio sin previo aviso.

GARANTÍA LIMITADA

PARA VER EL REGISTRO DE GARANTÍA Y LOS TÉRMINOS Y CONDICIONES COMPLETOS, VISITE NUESTRO SITIO WEB.

Para clientes en los Estados Unidos y México: www.chauvetlighting.com/warranty-registration.

Para clientes en Reino Unido, República de Irlanda, Bélgica, Países Bajos, Luxemburgo, Francia y Alemania: www.chauvetlighting.eu/warranty-registration.

Chauvet garantiza que este producto estará libre de defectos de material y mano de obra en condiciones de uso normales, durante el periodo especificado, sujeto siempre a las exclusiones y limitaciones establecidas en la garantía limitada completa de nuestro sitio web. Esta garantía se concede únicamente al comprador original del producto y no es transferible. Para ejercer los derechos que otorga esta garantía, usted debe proporcionar una prueba de compra en forma de un recibo de compra original, expedido por un distribuidor autorizado, donde figure el nombre del producto y la fecha de compra. **NO EXISTEN OTRAS GARANTÍAS EXPRESAS NI IMPLÍCITAS.** Esta garantía le otorga derechos legales específicos. Es posible que a usted le asistan otros derechos, que variarán dependiendo del estado o del país. Esta garantía solamente es válida en los Estados Unidos, Reino Unido, República de Irlanda, Bélgica, Países Bajos, Luxemburgo, Francia, Alemania y México. Para conocer los términos de garantía en otros países, consulte a su distribuidor local.

Notas de Seguridad

Estas notas de seguridad incluyen información importante sobre el montaje, uso y mantenimiento.

- NO abra este producto. No contiene piezas reparables por el usuario.
- NO mire a la fuente de luz cuando el producto esté encendido.
- Para evitar un desgaste innecesario y alargar su vida útil, desconecte complemente el producto de la alimentación, mediante el interruptor o desenchufándolo, durante los periodos en los que no se use.
- Cuidado: cuando transfiera el producto desde ambientes con temperatura extrema (p. ej., del remolque frío de un camión a una sala de baile con calor y humedad), puede formarse condensación en la electrónica interna del producto. Para evitar que se produzca una avería, deje que el producto se aclimate completamente al ambiente antes de conectar la alimentación.
- ¡CUIDADO! La carcasa de este producto está caliente cuando las luces están en funcionamiento.
- Monte este producto en una ubicación con ventilación adecuada, al menos a 20" (50 cm) de superficies adyacentes.
- NO deje ningún material inflamable a menos de 50 cm de este producto mientras esté funcionando o conectado a la alimentación.
- USE un cable de seguridad cuando monte este producto en lo alto.
- NO sumerja este producto (IP65). La operación normal en exteriores es correcta.
- NO ponga en funcionamiento este producto si sospecha que la carcasa, lentes o cables están dañados.
- NO conecte este producto a un atenuador o reostato.
- Conecte este producto SOLO a un circuito con toma de tierra y protegido.
- Use SOLAMENTE los soportes de colgar/montar o las asas para mover este producto.
- En caso de un problema grave de funcionamiento, deje de usarlo inmediatamente.
- La máxima temperatura ambiente es de 113 °F (45 °C). No haga funcionar este producto a temperaturas más altas.
- La temperatura de inicio máxima es de -4 °F (-20 °C). No ponga en funcionamiento el producto a temperaturas más bajas.
- La temperatura ambiente mínima es de -22 °F (-30 °C). No haga funcionar el producto a temperaturas más bajas.

Cumplimiento de la FCC

Este dispositivo cumple la parte 15, parte B de las normas FCC. El funcionamiento está supeditado al cumplimiento de estas dos condiciones:

1. Este dispositivo no puede causar interferencias perjudiciales; y
2. Este dispositivo debe aceptar cualquier interferencia recibida, incluyendo las interferencias que puedan causar un funcionamiento no deseado.

Cualquier cambio o modificación que no haya sido expresamente autorizado por la parte responsable de conformidad puede anular la potestad del usuario para hacer funcionar el equipo.

Advertencia de exposición a RF para América del Norte y Australia

¡Advertencia! Este equipo cumple los límites FCC de exposición a radiación establecidos para un entorno no controlado. Este equipo debe instalarse y manejarse con una distancia mínima de 20 cm entre el radiador y su cuerpo. Este transmisor no se debe situar junto a ninguna otra antena o transmisor ni hacerse funcionar en combinación con ellos.

Contacto

Fuera de EE. UU., Reino Unido, Irlanda, Benelux, Francia, Alemania o México póngase en contacto con su distribuidor para solicitar asistencia o devolver un producto. Consulte [Contact Us](#) al final de este GRR para información de contacto.

Qué va Incluido

- Maverick Storm 1 Spot
- Cable de alimentación Seetronic Powerkon IP65
- 2 soportes Omega con material de montaje
- Guía de Referencia Rápida

Corriente Alterna

Este producto tiene una fuente de alimentación con detección automática que puede funcionar con un rango de tensión de entrada de 100–240 VCA, 50/60 Hz.

Enchufe CA

Conexión	Cable (EE.UU)	Cable (Europa)	Color del Tornillo
CA Cargado	Negro	Marrón	Amarillo/Bronce
CA Neutro	Blanco	Azul	Plata
CA Tierra	Verde/Amarillo	Verde/Amarillo	Verde



Para evitar un desgaste innecesario y alargar su vida útil, desconecte complemente el producto de la alimentación, mediante el interruptor o desenchufándolo, durante los periodos en los que no se use.

Sustitución del Fusible

1. Desconecte este producto de la alimentación.
2. Utilizando un destornillador Phillips, desatornille la tapa del portafusibles de la carcasa.
3. Quite el fusible fundido del portafusibles y sustitúyalo con uno nuevo del mismo tipo y categoría.
4. Vuelva a atornillar la tapa del portafusibles en su sitio y conecte de nuevo la alimentación.

Enlace DMX

El Maverick Storm 1 Spot funcionará con un controlador DMX usando una conexión serie DMX normal. Hay un manual DMX disponible en www.chauvetprofessional.com.

Conexión DMX

El Maverick Storm 1 Spot usa una conexión de datos DMX normal para sus personalidades: **33Ch** y **26Ch**. Vea el Manual de Usuario para conectar y configurar para funcionamiento DMX.

Conexiones de señal

Puede enlazar el Maverick Storm 1 Spot a un controlador o software controlador usando una conexión DMX, una conexión Ethernet o ambas. Si está usando otros productos compatibles con Art-Net™, sACN o Kling-Netcon, el Maverick Storm 1 Spot puede controlar cada uno individualmente en una sola red. Consulte el Manual de usuario para obtener información sobre cómo conectar y configurar el producto para estas señales.

Conexión Art-Net™

Art-Net™ es un protocolo Ethernet que utiliza TCP/IP para transferir gran cantidad de datos DMX512 usando una conexión etherCON RJ45 sobre una red de gran tamaño. Hay disponible un documento sobre el protocolo Art-Net™ desde www.chauvetprofessional.com. Chauvet Professional recomienda la utilización de modo Unicast para mejores resultados.

Conexión sACN

También conocido como ANSI E1.31, el streaming ACN es un protocolo Ethernet que usa las capas y formato de Architecture for Control Networks (arquitectura para redes de control) para transportar datos DMX512 sobre IP o cualquier otra red compatible con ACN. El mantenimiento de ACN corre a cargo de la Professional Lighting and Sound Association (Asociación de Sonido e Iluminación Profesional, PLASA).

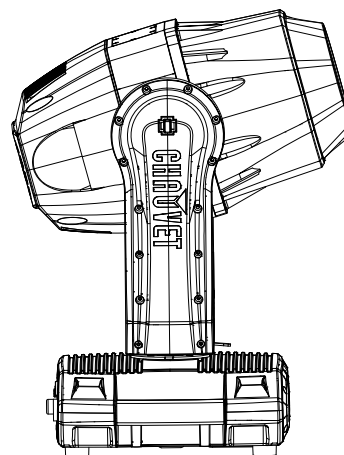
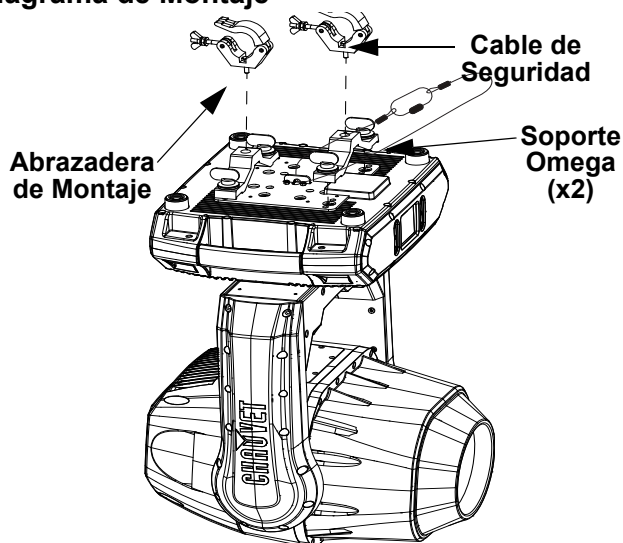
RDM (gestión remota del dispositivo)

Remote Device Management (gestión remota del dispositivo) o RDM, es un estándar que permite a los dispositivos con capacidad DMX una comunicación bidireccional por un cableado DMX existente. El Maverick Storm 1 Spot admite protocolo RDM, que posibilita información para supervisar cambiar las opciones del mapa de menú. Descargue el manual de usuario de www.chauvetprofessional.com para una información más detallada.

Montaje

Antes de montar este producto, lea las [Notas de Seguridad](#). Utilice al menos dos puntos de montaje por producto. Asegúrese de que las abrazaderas de montaje son capaces de soportar el peso del producto. Para nuestra línea Chauvet de abrazaderas de montaje, visite <http://trusst.com/products>.

Diagrama de Montaje



Montaje en Altura

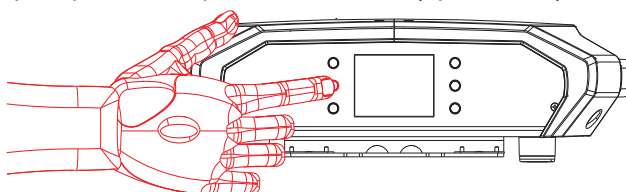
Montaje en el Suelo

Descripción del Panel de Control

Botón	Nombre	Función
< ↑ >	<UP>	Navega hacia arriba por la lista de menú o aumenta el valor numérico cuando está en una función
< ≡ >	<MENU>	Sale del menú o función actual
< ↓ >	<DOWN>	Navega hacia abajo por la lista de menú o disminuye el valor numérico cuando está en una función
< ← >	<LEFT>	Navega hacia la izquierda por la lista de menú
< ↵ >	<ENTER>	Habilita el menú actualmente en pantalla o configura el valor seleccionado actualmente dentro de la función seleccionada
< → >	<RIGHT>	Navega hacia la derecha por la lista de menú

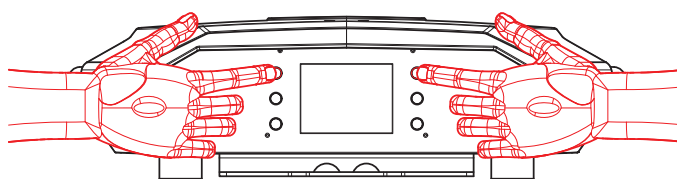
Pantalla alimentada con batería

Pulse y mantenga pulsado hasta que aparezca la pantalla de menú (aprox. 15 s).



Modo de seguimiento

El modo de seguimiento de puntos desactiva los motores de giro e inclinación, lo que permite que la salida del producto sea dirigida a mano. Para habilitar el modo de seguimiento de puntos del Maverick Storm 1 Spot, mantenga presionados <UP> y <LEFT> mientras el producto se enciende. Cuando el producto se apaga y se vuelve a encender, la panorámica y la inclinación volverán a su funcionamiento normal.



Mapa de Menú

Nivel Principal	Niveles de Programación		Descripción
Address	000-512		Configuración de red
Network Setup	IP Mode	Manual	Selección del modo IP
		DHCP	
		Static	
	Universe	000-255	Configurar el universo
	Ip	---.---.---.---	Configuración de IP
SubMask	---.---.---.---	Máscara de subred	
Personality	DMX 26CH	NO	Escoger 26 canales de DMX
		YES	
	DMX 33CH	NO	Escoger 33 canales de DMX
		YES	
Settings	Control Mode	DMX	Selección de señal
		WDMX	
		ArtNet	
		sACN	
	Pan Reverse	NO	Invertir el movimiento panorámico
		YES	
	Tilt Reverse	NO	Invertir la inclinación
		YES	
	Screen Reverse	NO	Invertir la pantalla manual o automáticamente
		YES	
		AUTO	
	Pan Angle	540	Cambiar el ángulo panorámico
		360	
		180	
	Tilt Angle	270	Cambiar el ángulo de inclinación
		180	
		90	
	BL. O. P/T Move	NO	Habilitar/deshabilitar el blackout XY
		YES	
	BL. O. Color Move	NO	Habilitar/deshabilitar el blackout de color
		YES	
	BL. O. Gobo Move	NO	Habilitar/deshabilitar el blackout de gobo
		YES	
	Lock Screen	NO	Bloqueo de los botones y pantalla táctil PASSCODE: 0920
		YES	
	Swap X/Y	NO	Intercambiar movimiento panorámico y de inclinación
		YES	
	WDMX Reset	NO	Reiniciar DMX inalámbrico
YES			
Backlight Timer	30S	Configura la retroiluminación para que se apague transcurrido cierto tiempo	
	1M		
	5M		
	ON		
Loss of Data	Hold	Configuración de pérdida de datos	
	Close		

Nivel Principal	Niveles de Programación		Descripción
Settings (cont.)	Fans	Auto	Cambiar el modo de velocidad del ventilador
		Full	
		ECO	
	Theatrical Dimming	ON	Activar / Desactivar atenuación teatral
		OFF	
	Dimmer Curve	Linear	Configurar la curva del atenuador
		Square	
		I Squa	
		SCurve	
	PWM Option	600Hz	Selecciona la frecuencia de emisión PWM
		1200Hz	
		2000Hz	
		4000Hz	
		6000Hz	
		25000Hz	
	Smart Zoom	OFF	Activar / desactivar la función de zoom inteligente
		ON	
	Beam Correction	OFF	Habilitar / deshabilitar la corrección del haz
ON			
Preset Select	PRESET A	Opciones de menú preconfiguradas grabadas	
	PRESET B		
	PRESET C		
Preset Sync	NO	Permite transferir las opciones de menú preconfiguradas grabadas a otros Maverick Storm 1 Spots de la cadena DMX	
	YES		
Reset Function	Pan/Tilt	YES/NO	
	Iris/ Prism		
	Color/ CMY		
	Gobo/ Gobo Rotate		
	Frost		
	All		
Factory Settings	NO	Restablecer todas las funciones a los valores de fábrica	
	YES		

Nivel Principal	Niveles de Programación		Descripción
Test	Auto Test		Hacer una prueba automática del producto
	Manual Test	Pan	000-255
		Pan Fine	
		Tilt	
		Tilt Fine	
		P/T Speed	
		Dimmer	
		Dimmer Fine	
		Shutter	
		Virtual Shaking	
		Cyan	
		Magenta	
		Yellow	
		CTO	
		Color	
		Gobo	
		Gobo Rotate	
		Gobo Index	
		Gobo2	
		Animation	
		Animation Rotate	
		Focus	
		Focus Fine	
		Focus Auto	
		Zoom	
		Zoom Fine	
		Prism	
		Prism Rotate	
		Iris	
		Frost	
Frost2			
CMY Macro			
CMY Macro Speed			
Special Function			
000-255	Comprobar individualmente cada función/canal		

Nivel Principal	Niveles de Programación		Descripción	
Information	Fixture Information	Ver	V_	Versión actual
		Running Mode	---	Modo actual
		DMX Address	---	
		Temperature	---	Temperatura actual
		Fixture Hours	-----	Horas activas actuales
		Ip	-----	Dirección IP actual
		SubMask	-----	Máscara de subred actual
		MAC	-----	Dirección MAC
	Fan Information	Base Fan1 Speed	-----	Ver configuracion de velocidad
		Base Fan2 Speed	-----	
		head Fan1 Speed	-----	
		head Fan2 Speed	-----	
	Error Information	-----	Hz	Aparecerá en la pantalla
	Channel Information	Frequency	Hz	Estado del canal individual
		Pan	000-255	
		Pan Fine		
		Tilt		
		Tilt Fine		
		P/T Speed		
		Dimmer		
		Dimmer Fine		
		Shutter		
		Virtual Shaking		
		Cyan		
		Magenta		
		Yellow		
		CTO		
		Color		
		Gobo		
		Gobo Rotate		
Gobo Index				
Gobo 2				
Focus				
Focus Fine				
Focus Auto				
Zoom				
Zoom Fine				
Prism				
Prism Rotate				
Iris				
Frost				
Frost2				
CMY Macro				
CMY Macro Speed				
Special Function				

ES

Valores DMX

33Ch

Canal	Función	Valor	Porcentaje/Configuración
1	Movimiento panorámico	000 ⇔ 255	0–100%
2	Movimiento panorámico fino	000 ⇔ 255	0–100%
3	Inclinación	000 ⇔ 255	0–100%
4	Inclinación fina	000 ⇔ 255	0–100%
5	Velocidad movimiento panorámico/ Inclinación	000 ⇔ 255	0–100%
6	Atenuador	000 ⇔ 255	0–100%
7	Atenuador fino	000 ⇔ 255	0–100%
8	Obturador	000 ⇔ 003 004 ⇔ 007 008 ⇔ 076 077 ⇔ 145 146 ⇔ 215 216 ⇔ 255	Cerrado Abierto Lento a rápido Efecto pulso de lento a rápido Efecto aleatorio de lento a rápido Abierto
9	Obturador virtual	000 ⇔ 001 002 ⇔ 128 129 ⇔ 255	Sin función Estroboscopia vibratorio, lento a rápido Hacer aparecer gradualmente/desaparecer, lento a rápido
10	Cian	000 ⇔ 255	0–100%
11	Magenta	000 ⇔ 255	0–100%
12	Amarillo	000 ⇔ 255	0–100%
13	CTO	000 ⇔ 255	0–100%
14	Rueda de color	000 ⇔ 006 007 ⇔ 013 014 ⇔ 020 021 ⇔ 027 028 ⇔ 034 035 ⇔ 041 042 ⇔ 048 049 ⇔ 059 060 ⇔ 187 188 ⇔ 219 220 ⇔ 223 224 ⇔ 255	Abierto Rojo Naranja Verde Azul Magenta UV CTO Colores divididos Desplazamiento de color en sentido horario, rapido a lento Parada Desplazamiento de color en sentido antihorario, lento a rapido
15	Rueda de gobo giratorio 1	000 ⇔ 007 008 ⇔ 015 016 ⇔ 023 024 ⇔ 031 032 ⇔ 039 040 ⇔ 047 048 ⇔ 055 056 ⇔ 063 064 ⇔ 071 072 ⇔ 079 080 ⇔ 087 088 ⇔ 095 096 ⇔ 103 104 ⇔ 111 112 ⇔ 119 120 ⇔ 127 128 ⇔ 191 192 ⇔ 255	Abierto Gobo 1 (Veleros) Gobo 2 (Punto radial) Gobo 3 (Cuchilla de corte) Gobo 4 (Tornillos) Gobo 5 (Mampara de ducha) Gobo 6 (Nubes balísticas) Gobo 7 (Cuatro ojos) Gobo 7 vibrando Gobo 6 vibrando Gobo 5 vibrando Gobo 4 vibrando Gobo 3 vibrando Gobo 2 vibrando Gobo 1 vibrando Abierto Desplazamiento de gobo en sentido horario, rapido a lento Desplazamiento de gobo en sentido antihorario, lento a rapido
16	Gobo giratorio 1	000 ⇔ 063 064 ⇔ 145 146 ⇔ 151 152 ⇔ 231 232 ⇔ 255	Índice de gobo giratorio Giro en el sentido horario, rápido a lento Parada Giro en el sentido anti-horario, lento a rápido Efecto Rebote

Canal	Función	Valor	Porcentaje/Configuración
17	Rueda de gobo 1 Índice de Incremento	000 ⇔ 255	0–100%
18	Rueda de gobo estática 2	000 ⇔ 005 006 ⇔ 011 012 ⇔ 017 018 ⇔ 023 024 ⇔ 029 030 ⇔ 035 036 ⇔ 041 042 ⇔ 047 048 ⇔ 053 054 ⇔ 063 064 ⇔ 069 070 ⇔ 075 076 ⇔ 081 082 ⇔ 087 088 ⇔ 093 094 ⇔ 099 100 ⇔ 105 106 ⇔ 111 112 ⇔ 117 118 ⇔ 127 128 ⇔ 191 192 ⇔ 255	Abierto Gobo 1 (Haz de luz) Gobo 2 (Barras) Gobo 3 (Círculos) Gobo 4 (Romper) Gobo 5 (Puntos) Gobo 6 (Circuitos) Gobo 7 (Triángulos) Gobo 8 (Bosque) Gobo 9 (Arcoiris) Gobo 9 vibrando Gobo 8 vibrando Gobo 7 vibrando Gobo 6 vibrando Gobo 5 vibrando Gobo 4 vibrando Gobo 3 vibrando Gobo 2 vibrando Gobo 1 vibrando Abierto Desplazamiento de gobo en sentido horario, lento a rápido Desplazamiento de gobo en sentido antihorario, lento a rápido
19	Rueda de animacion	000 ⇔ 255	Efecto de animacion
20	Rueda de animación giratoria	000 ⇔ 124 125 ⇔ 130 131 ⇔ 255	Giro en el sentido horario, rápido a lento Parada Giro en el sentido anti-horario, lento a rápido
21	Foco	000 ⇔ 255	0–100%
22	Foco fino	000 ⇔ 255	0–100%
23	Autofoco	000 ⇔ 010 011 ⇔ 030 031 ⇔ 050 051 ⇔ 070 071 ⇔ 090 091 ⇔ 110 111 ⇔ 130 131 ⇔ 150 151 ⇔ 170 171 ⇔ 190 191 ⇔ 210 211 ⇔ 255	Sin función 0–5 m 6 m 7 m 8 m 9 m 10 m 12.5 m 15 m 17.5 m 20–60 m Detectar automáticamente la distancia
24	Zoom	000 ⇔ 255	0–100%
25	Zoom fino	000 ⇔ 255	0–100%
26	Prisma	000 ⇔ 004 005 ⇔ 255	Sin función Efecto de prisma
27	Girar prisma	000 ⇔ 127 128 ⇔ 189 190 ⇔ 193 194 ⇔ 255	Posicion de giro Giro en el sentido horario, lento a rápido Parada Giro en sentido antihorario, rápido a lento
28	Iris	000 ⇔ 063 064 ⇔ 127 128 ⇔ 191 192 ⇔ 255	0–100% Cambio automático (lento a rápido) Disminuir zoom lento, Aumentar zoom rápido (lento a rápido) Aumentar zoom lento, disminuir zoom rápido (lento a rápido)
29	Escarcha 1	000 ⇔ 255	0–100%
30	Escarcha 2	000 ⇔ 255	0–100%
31	Macro CMY	000 ⇔ 009 010 ⇔ 255	Sin función CMY macro
32	Velocidad de macro CMY	000 ⇔ 255	100%–0

Canal	Función	Valor	Porcentaje/Configuración
33	Control	000 ⇔ 007	Sin función
		008 ⇔ 015	Blackout XY
		016 ⇔ 023	Blackout C
		024 ⇔ 031	Blackout G
		032 ⇔ 039	Blackout XYC
		040 ⇔ 047	Blackout XYG
		048 ⇔ 055	Blackout XYCG
		056 ⇔ 095	Sin función
		096 ⇔ 103	Restablecer X
		104 ⇔ 111	Restablecer Y
		112 ⇔ 119	Restablecer color
		120 ⇔ 127	Restablecer gobo
		128 ⇔ 135	Sin función
		136 ⇔ 143	Restablecer prisma
		144 ⇔ 151	Sin función
		152 ⇔ 159	Restablecer
		160 ⇔ 167	Restablecer iris
		168 ⇔ 175	Restablecer difusor
		176 ⇔ 183	Restablecer zoom
		184 ⇔ 191	Restablecer CMY
		192 ⇔ 199	Velocidad de ventilador lenta
		200 ⇔ 207	Velocidad de ventilador máxima
		208 ⇔ 215	Ventilador automático
		216 ⇔ 220	Sin función
		221 ⇔ 225	Modo iris rapido
		226 ⇔ 230	Modo iris suave
231 ⇔ 235	Intercambio XY activado		
236 ⇔ 240	Intercambio XY desactivado		
241 ⇔ 245	Sin funcion		
246 ⇔ 250	Modo XY suave		
251 ⇔ 255	Modo XY rapido		

26Ch

Canal	Función	Valor	Porcentaje/Configuración
1	Movimiento panorámico	000 ⇔ 255	0–100%
2	Movimiento panorámico fino	000 ⇔ 255	0–100%
3	Inclinación	000 ⇔ 255	0–100%
4	Inclinación fina	000 ⇔ 255	0–100%
5	Velocidad movimiento panorámico/ Inclinación	000 ⇔ 255	0–100%
6	Atenuador	000 ⇔ 255	0–100%
7	Obturador	000 ⇔ 003 004 ⇔ 007 008 ⇔ 076 077 ⇔ 145 146 ⇔ 215 216 ⇔ 255	Cerrado Abierto Lento a rápido Efecto pulso de lento a rápido Efecto aleatorio de lento a rápido Abierto
8	Obturador virtual	000 ⇔ 001 002 ⇔ 128 129 ⇔ 255	Sin función Estroboscopia vibratorio, lento a rápido Hacer aparecer gradualmente/desaparecer, lento a rápido
9	Cian	000 ⇔ 255	0–100%
10	Magenta	000 ⇔ 255	0–100%
11	Amarillo	000 ⇔ 255	0–100%
12	CTO	000 ⇔ 255	0–100%

Canal	Función	Valor	Porcentaje/Configuración
13	Rueda de color	000 ⇔ 006	Abierto
		007 ⇔ 013	Rojo
		014 ⇔ 020	Naranja
		021 ⇔ 027	Verde
		028 ⇔ 034	Azul
		035 ⇔ 041	Magenta
		042 ⇔ 048	UV
		049 ⇔ 059	CTO
		060 ⇔ 187	Colores divididos
		188 ⇔ 219	Desplazamiento de color en sentido horario, rapido a lento
		220 ⇔ 223	Parada
224 ⇔ 255	Desplazamiento de color en sentido antihorario, lento a rapido		
14	Rueda de gobo 1	000 ⇔ 007	Abierto
		008 ⇔ 015	Gobo 1 (Veleros)
		016 ⇔ 023	Gobo 2 (Arcoiris)
		024 ⇔ 031	Gobo 3 (Punto radial)
		032 ⇔ 039	Gobo 4 (Tornillos)
		040 ⇔ 047	Gobo 5 (Cuatro ojos)
		048 ⇔ 055	Gobo 6 (Lunares)
		056 ⇔ 063	Gobo 7 (Mampara de ducha)
		064 ⇔ 071	Gobo 7 vibrando
		072 ⇔ 079	Gobo 6 vibrando
		080 ⇔ 087	Gobo 5 vibrando
		088 ⇔ 095	Gobo 4 vibrando
		096 ⇔ 103	Gobo 3 vibrando
		104 ⇔ 111	Gobo 2 vibrando
		112 ⇔ 119	Gobo 1 vibrando
		120 ⇔ 127	Abierto
		128 ⇔ 191	Desplazamiento de gobo en sentido horario, rapido a lento
192 ⇔ 255	Desplazamiento de gobo en sentido antihorario, lento a rapido		
15	Gobo giratorio 1	000 ⇔ 063	Índice de gobo giratorio
		064 ⇔ 145	Giro en el sentido horario, lento a rápido
		146 ⇔ 151	Parada
		152 ⇔ 231	Giro en el sentido anti-horario, lento a rápido
		232 ⇔ 255	Rebote
16	Rueda de gobo estática 2	000 ⇔ 005	Abierto
		006 ⇔ 011	Gobo 1 (Barras)
		012 ⇔ 017	Gobo 2 ()
		018 ⇔ 023	Gobo 3 (Romper)
		024 ⇔ 029	Gobo 4 ()
		030 ⇔ 035	Gobo 5 (Triangulos)
		036 ⇔ 041	Gobo 6 (Circuitos)
		042 ⇔ 047	Gobo 7 (Círculos)
		048 ⇔ 053	Gobo 8 (Bosque)
		054 ⇔ 063	Gobo 9 (Nubes balísticas)
		064 ⇔ 069	Gobo 9 vibrando
		070 ⇔ 075	Gobo 8 vibrando
		076 ⇔ 081	Gobo 7 vibrando
		082 ⇔ 087	Gobo 6 vibrando
		088 ⇔ 093	Gobo 5 vibrando
		094 ⇔ 099	Gobo 4 vibrando
		100 ⇔ 105	Gobo 3 vibrando
		106 ⇔ 111	Gobo 2 vibrando
		112 ⇔ 117	Gobo 1 vibrando
118 ⇔ 127	Abierto		
128 ⇔ 191	Desplazamiento de gobo en sentido horario, lento a rápido		
192 ⇔ 255	Desplazamiento de gobo en sentido antihorario, lento a rápido		
17	Rueda de animacion	000 ⇔ 255	Efecto de animacion
18	Rueda de animación giratoria	000 ⇔ 124	Giro en el sentido horario, rápido a lento
		125 ⇔ 130	Parada
		131 ⇔ 255	Giro en el sentido anti-horario, lento a rápido
19	Foco	000 ⇔ 255	0-100%
20	Zoom	000 ⇔ 255	0-100%

GUÍA DE REFERENCIA RÁPIDA



ES

Canal	Función	Valor	Porcentaje/Configuración
21	Prisma	000 ⇄ 004	Sin función
		005 ⇄ 255	Efecto de prisma
22	Girar prisma	000 ⇄ 127	Posición de giro
		128 ⇄ 189	Giro en el sentido horario, lento a rápido
		190 ⇄ 193	Parada
		194 ⇄ 255	Giro en sentido antihorario, rápido a lento
23	Iris	000 ⇄ 063	0–100%
		064 ⇄ 127	Cambio automático (lento a rápido)
		128 ⇄ 191	Disminuir zoom lento, aumentar zoom rápido (lento a rápido)
		192 ⇄ 255	Aumentar zoom lento, disminuir zoom rápido (lento a rápido)
24	Difusor 1	000 ⇄ 255	0–100%
25	Difusor 2	000 ⇄ 255	0–100%
26	Control	000 ⇄ 007	Sin función
		008 ⇄ 015	Blackout XY
		016 ⇄ 023	Blackout C
		024 ⇄ 031	Blackout G
		032 ⇄ 039	Blackout XYC
		040 ⇄ 047	Blackout XYG
		048 ⇄ 055	Blackout XYCG
		056 ⇄ 095	Sin función
		096 ⇄ 103	Restablecer X
		104 ⇄ 111	Restablecer Y
		112 ⇄ 119	Restablecer color
		120 ⇄ 127	Restablecer gobo
		128 ⇄ 135	Sin función
		136 ⇄ 143	Restablecer prisma
		144 ⇄ 151	Sin función
		152 ⇄ 159	Restablecer
		160 ⇄ 167	Restablecer iris
		168 ⇄ 175	Restablecer difusor
		176 ⇄ 183	Restablecer zoom
		184 ⇄ 191	Restablecer CMY
		192 ⇄ 199	Velocidad de ventilador lenta
		200 ⇄ 207	Velocidad de ventilador máxima
		208 ⇄ 215	Ventilador automático
		216 ⇄ 220	Sin función
		221 ⇄ 225	Modo iris rapido
226 ⇄ 230	Modo iris suave		
231 ⇄ 235	Intercambio XY activado		
236 ⇄ 240	Intercambio XY desactivado		
241 ⇄ 245	Sin funcion		
246 ⇄ 250	Modo XY suave		
251 ⇄ 255	Modo XY rapido		

A Propos de ce Manuel

Le manuel de référence (MR) du Maverick Storm 1 Spot reprend des informations de base sur ce produit notamment en matière de connexions, montage, options de menu et valeurs DMX. Téléchargez le Manuel d'Utilisation sur www.chauvetprofessional.com for pour de plus amples informations.

Clause de Non-Responsabilité

Les informations et caractéristiques contenues dans ce manuel sont sujettes à changement sans préavis.

GARANTIE LIMITÉE

VEUILLEZ VISITER NOTRE SITE INTERNET POUR CONSULTER LES MODALITÉS D'ENREGISTREMENT DE LA GARANTIE ET LES CONDITIONS GÉNÉRALES COMPLÈTES.

Pour les clients aux États-Unis et au Mexique: www.chauvetlighting.com/warranty-registration.

Pour les clients du Royaume-Uni, de la République d'Irlande, de la Belgique, des Pays-Bas, du Luxembourg, de la France et de l'Allemagne: www.chauvetlighting.eu/warranty-registration.

Chauvet garantit que cet appareil est exempt de défauts de matériaux et de fabrication dans des conditions normales d'utilisation, pendant la période spécifiée dans la garantie limitée complète consultable sur notre site Internet et sous réserve des exclusions et limitations qui y sont énoncées. Cette garantie ne s'applique qu'à l'acheteur initial du produit et n'est pas transférable. Pour exercer les droits prévus par cette garantie, vous devez fournir une preuve d'achat sous la forme d'un reçu de vente original d'un revendeur autorisé qui indique le nom du produit et la date d'achat. IL N'EXISTE AUCUNE AUTRE GARANTIE EXPRESSE OU IMPLICITE. Cette garantie vous confère des droits légaux spécifique. Vous pouvez également bénéficier d'autres droits qui varient selon les états et les pays. Cette garantie n'est valable qu'aux États-Unis, au Royaume-Uni, en République d'Irlande, en Belgique, aux Pays-Bas, au Luxembourg, en France, en Allemagne et au Mexique. Pour connaître les conditions de garantie dans d'autres pays, veuillez consulter votre revendeur local.

Consignes de Sécurité

Ces consignes de sécurité contiennent des informations importantes en matière d'installation, d'utilisation et d'entretien.

- N'ouvrez PAS ce produit. Il ne contient aucun composant susceptible d'être réparé par l'utilisateur.
- Ne regardez PAS la source lumineuse lorsque le produit fonctionne.
- Durant les périodes de non-utilisation, pour éviter tout usure inutile et pour prolonger la durée de vie, déconnectez entièrement l'appareil en le débranchant de l'alimentation électrique ou en coupant le disjoncteur.
- ATTENTION: Lorsque l'appareil est transféré d'un environnement à température extrême à un autre (par exemple d'un camion froid vers une salle de bal chaude et humide), de la condensation peut se former sur les composants électriques internes. Pour éviter de causer des dommages, laissez l'appareil s'acclimater entièrement au milieu environnant avant de le mettre sous tension.
- ATTENTION: le boîtier de ce produit est brûlant lors du fonctionnement.
- Montez toujours ce produit dans un endroit bien ventilé, à au moins, 20 pouces (50 cm) des surfaces adjacentes.
- Ne laissez AUCUNE source inflammable dans un rayon de 50 cm du produit lorsque celui-ci fonctionne.
- Utilisez TOUJOURS un câble de sécurité lorsque vous montez ce produit en hauteur.
- N'immergez PAS ce produit (IP 65). Un usage normal en extérieur est autorisé.
- N'utilisez PAS ce produit si le boîtier, les lentilles ou les câbles vous semblent endommagés.
- Ne connectez PAS ce produit ni à un gradateur ni à un rhéostat.
- Connectez UNIQUEMENT ce produit à un circuit protégé et relié à la terre.
- Transportez/Suspendez ce produit UNIQUEMENT au moyen de la poignée ou lyre de suspension dont il est doté.
- En cas de sérieux problèmes de fonctionnement, arrêtez le système immédiatement.
- La température ambiante maximale supportée par ce produit est de 113 °F (45 °C). Ne le faites pas fonctionner à des températures plus élevées.
- La température de démarrage minimale est de -20°C (-4°F). Ne pas démarrer l'appareil à des températures plus basses.
- La température ambiante minimale est de -30°C (-22°F). Ne pas utiliser l'appareil à des températures plus basses.

Conformité FCC

Cet appareil est conforme à la partie 15, sous-partie B du règlement de la FCC. L'utilisation est soumise aux deux conditions suivantes :

1. Cet appareil ne doit pas causer d'interférences nuisibles, et
2. Cet appareil doit accepter toutes les interférences reçues, y compris celles pouvant entraîner un fonctionnement indésirable.

Tout changement ou modification non expressément approuvé par l'autorité responsable de la conformité pourrait annuler le droit de l'utilisateur à utiliser l'équipement.

Avertissement à l'exposition aux fréquences radio pour l'Amérique du Nord et l'Australie

Attention ! Cet équipement est conforme aux limites de la FCC d'exposition aux radiations définies pour un environnement non contrôlé. Cet équipement doit être installé et utilisé à une distance minimale de 20 cm entre le radiateur et votre corps. Cet émetteur ne doit pas être installé ou fonctionner conjointement avec une autre antenne ou un autre émetteur.

Contact

En dehors des États-Unis, du Royaume-Uni, de l'Irlande, du Benelux, de la France, de l'Allemagne, ou du Mexique, contactez votre fournisseur si vous avez besoin d'assistance ou pour retourner un appareil. Référez-vous à [Contact Us](#) à la fin de ce MdR pour obtenir des informations pour nous contacter.

Ce qui est Inclus

- Maverick Storm 1 Spot
- Un cordon d'alimentation Seetronic Powerkon IP65
- 2 fixations Omega sans matériel de montage
- Un Manuel de Référence

Alimentation CA

Ce produit est doté d'une alimentation universelle prenant en charge toute tension d'entrée comprise entre 100 et 240 VCA, 50/60 Hz.

Prise CA

Connexion	Câble (États-Unis)	Câble (Europe)	Couleur de la Vis
Conducteur CA	Noir	Marron	Jaune/Cuivré
Neutre CA	Blanc	Bleu	Argenté
Terre CA	Vert/Jaune	Vert/Jaune	Vert



Durant les périodes de non-utilisation, pour éviter toute usure inutile et pour prolonger la durée de vie, déconnectez-entièrement l'appareil en le débranchant de l'alimentation électrique ou en coupant le disjoncteur.

Remplacement du Fusible

1. Débranchez l'appareil de l'alimentation.
2. À l'aide d'un tournevis cruciforme, dévissez le couvercle du porte-fusible du boîtier.
3. Retirez le fusil obsolète et remplacez-le par un fusible en bon état de même type et ampérage.
4. Revissez le couvercle du porte-fusible et rebranchez l'unité.

Raccordement DMX

Le Maverick Storm 1 Spot fonctionnera avec un jeu d'orgues DMX au moyen de connexions DMX en série standard. Une introduction au DMX est à votre disposition sur www.chauvetprofessional.com.

Connexion DMX

Le Maverick Storm 1 Spot utilise une connexion de données DMX standard pour ses personnalités DMX: **33Ch** et **26Ch**. Consultez le Manuel d'Utilisation pour connecter et configurer le système DMX.

Connexions du signal

Vous pouvez relier le Maverick Storm 1 Spot à un contrôleur ou à un logiciel de contrôle à l'aide d'une connexion DMX, une connexion Ethernet ou les deux à la fois. En cas d'utilisation du Maverick Storm 1 Spot conjointement avec d'autres appareils compatibles avec les protocoles Art-Net™, sACN ou Kling-Net, vous gardez le contrôle individuel sur un même réseau. Veuillez consulter le manuel d'utilisation pour plus d'informations sur la connexion et la configuration de l'appareil avec ces signaux.

Connexions Art-Net™

Art-Net™ est un protocole Ethernet par TCP/IP qui permet de transférer de grandes quantités de données DMX512 en utilisant une connexion etherCON RJ45 sur un grand réseau. Une introduction au protocole Art-Net™ est disponible sur le site internet www.chauvetprofessional.com. Chauvet Professional recommande d'utiliser le mode Unicast pour de meilleurs résultats. Art-Net™ conçu et droit d'auteur par Artistic Licence Holdings Ltd.

Connexions sACN

Également appelé ANSI E1.31, le streaming ACN est un protocole Ethernet qui utilise les couches et le formatage de l'Architecture for Control Networks pour transporter des données DMX512 par IP ou tout autre réseau compatible ACN. L'ACN est maintenu par la PLASA (Professional Lighting and Sound Association).

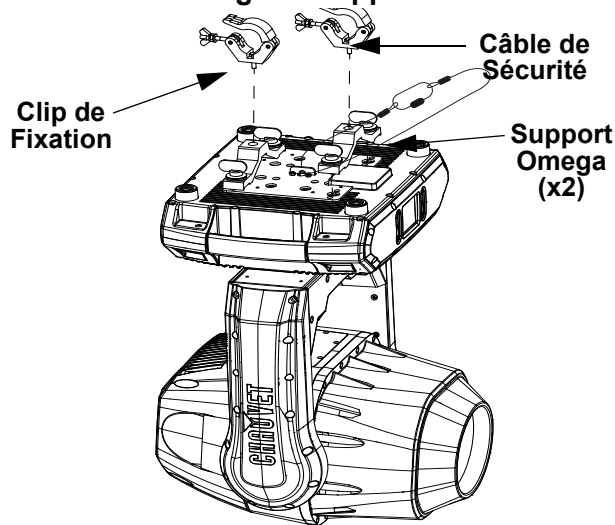
RDM (Gestion des périphériques à distance)

Le protocole RDM (gestion des périphériques à distance) est un standard pour la communication bidirectionnelle des appareils dotés de fonctions DMX dans un câblage DMX existant. Le Maverick Storm 1 Spot supporte le protocole RDM permettant un retour d'information pour la surveillance et des changements des options de menu. Veuillez télécharger le manuel de l'utilisateur à partir du site internet www.chauvetprofessional.com pour plus de détails.

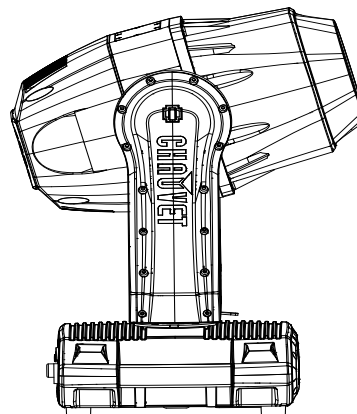
Montage

Avant de monter cet appareil, lisez et assimilez les [Consignes de Sécurité](#). Utilisez au moins deux points de fixation par appareil. Veillez à ce que les fixations sont capables de supporter le poids de l'unité. Découvrez notre gamme de fixations Chauvet sur <http://trusst.com/products>.

Schéma de Montage de l'appareil



Montage an Hauteur



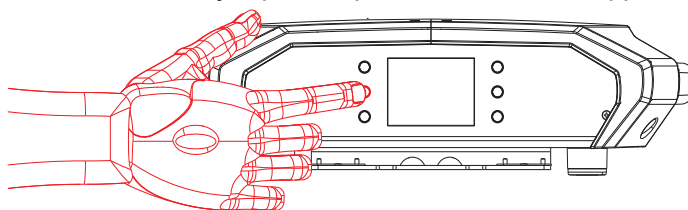
Montage au Sol

Description du Tableau de Commandes

Bouton	Nom	Fonction
< ↑ >	<UP>	Permet de naviguer vers le haut dans la liste du menu ou d'incrémenter une valeur numérique dans une fonction
< ≡ >	<MENU>	Permet de sortir du menu ou de la fonction en cours
< ↓ >	<DOWN>	Permet de naviguer vers le bas dans la liste du menu ou de décrémenter une valeur numérique dans une fonction
< ← >	<LEFT>	Permet de se déplacer vers la gauche dans le menu
< ↵ >	<ENTER>	Active l'entrée de menu actuellement affichée ou confirme la valeur actuellement sélectionnée pour la fonction en cours de sélection
< → >	<RIGHT>	Permet de se déplacer vers la droite dans le menu

Affichage à piles

Appuyez sur la touche et maintenez-la enfoncée jusqu'à ce que l'écran du menu apparaisse (environ 15 secondes).



Mode de poursuite

Le Mode de poursuite désactive les moteurs de panoramique et d'inclinaison, permettant ainsi de viser manuellement la sortie du produit. Pour activer le mode de poursuite du Maverick Storm 1 Spot, maintenez les touches <UP> et <LEFT> enfoncées pendant la mise sous tension du produit. Lorsque le produit est éteint puis rallumé, les fonctions de panoramique et d'inclinaison retournent à leur fonction normale.

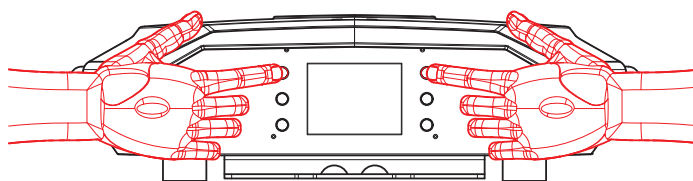


Tableau de Menu

Niveau Principal	Niveaux de Programmation		Description
Address	000-512		Paramétrage réseau
Network Setup	IP Mode	Manual	Sélection du mode IP
		DHCP	
		Static	
	Universe	000-255	Permet de définir l'univers
SubMask	Ip	-----	Paramétrage de l'IP
	SubMask	-----	Masque de sous-réseau
Personality	DMX 26CH	NO	Sélection de DMX avec 26 canaux
		YES	
	DMX 33CH	NO	Sélection de DMX avec 33 canaux
		YES	
Settings	Control Mode	DMX	Sélection du signal
		WDMX	
		ArtNet	
		sACN	
	Pan Reverse	NO	Permet d'inverser le balayage
		YES	
	Tilt Reverse	NO	Permet d'inverser le basculement
		YES	
	Screen Reverse	NO	Inversion manuelle ou automatique de l'écran
		YES	
		AUTO	
	Pan Angle	540	Permet de modifier l'angle de balayage
		360	
		180	
	Tilt Angle	270	Permet de modifier l'angle de basculement
		180	
		90	
	BL. O. P/T Move	NO	Activer/désactiver le noir général XY
		YES	
	BL. O. Color Move	NO	Activer/désactiver l'extinction des couleurs
		YES	
	BL. O. Gobo Move	NO	Activer/désactiver l'extinction du gobo
		YES	
	Lock Screen	NO	Boutons de verrouillage et l'écran tactile
YES			
Swap X/Y	NO	Permet de permuter le balayage et le basculement	
	YES		
WDMX Reset	NO	Permet de réinitialiser le DMX sans fil	
	YES		
Backlight Timer	30S	Permet d'éteindre automatiquement le rétro-éclairage après un laps de temps défini	
	1M		
	5M		
	ON		
Loss of Data	Hold	Paramétrage de la perte de données	
	Close		

Niveau Principal	Niveaux de Programmation		Description
Settings (suite)	Fans	Auto	Permet de modifier le mode de vitesse du ventilateur
		Full	
		ECO	
	Theatrical Dimming	ON	Activer / désactiver la gradation théâtrale
		OFF	
	Dimmer Curve	Linear	Permet de définir la courbe de gradation
		Square	
		I Squa	
		SCurve	
	PWM Option	600Hz	Permet de sélectionner la fréquence de sortie MLI
		1200Hz	
		2000Hz	
		4000Hz	
		6000Hz	
		25000Hz	
	Smart Zoom	OFF	Activer / désactiver la fonction de zoom intelligent
		ON	
	Beam Correction	OFF	Activer / désactiver la correction du faisceau
		ON	
	Preset Select	PRESET A	Options de menu des préséglages enregistrés
PRESET B			
PRESET C			
Preset Sync	NO	Permet de transférer les options de menu des préséglages enregistrés vers d'autres appareils Maverick Storm 1 Spot de la chaîne DMX en guirlande	
	YES		
Reset Function	Pan/Tilt	YES/NO	
	Iris/Prism		
	Color/CMY		
	Gobo/Gobo Rotate		
	Frost		
	All		
Factory Settings	NO	Permet de réinitialiser toutes les fonctions au paramétrage d'usine	
	YES		

Niveau Principal	Niveaux de Programmation			Description	
Test	Auto Test			Test automatisé de l'appareil	
	Manual Test	Pan	000–255	Test individuel de chaque fonction/canal	
		Pan Fine			
		Tilt			
		Tilt Fine			
		P/T Speed			
		Dimmer			
		Dimmer Fine			
		Shutter			
		Virtual Shaking			
		Cyan			
		Magenta			
		Yellow			
		CTO			
		Color			
		Gobo			
		Gobo Rotate			
		Gobo Index			
		Gobo2			
		Animation			
		Animation Rotate			
		Focus			
		Focus Fine			
		Focus Auto			
		Zoom			
		Zoom Fine			
		Prism			
		Prism Rotate			
		Iris			
		Frost			
		Frost2			
CMY Macro					
CMY Macro Speed					
Special Function					
Information	Fixture Information	Ver	V_	Version courante	
		Running Mode	---	Mode courant	
		DMX Address	---		
		Temperature	---	Température courante	
		Fixture Hours	-----	Durée d'activation courante	
		Ip	-----	Adresse IP courante	
		SubMask	-----	Affiche le masque de sous-réseau actuel	
		MAC	-----	Adresse MAC	
	Fan Information	Base Fan1 Speed	-----	Visualiser le paramétrage de vitesse	
		Base Fan2 Speed	-----		
		head Fan1 Speed	-----		
		head Fan2 Speed	-----		
	Error Information	-----		Apparaît à l'écran	
		Channel Information	Frequency	Hz	Statut de chaque canal
			Pan	000–255	
Pan Fine					
Tilt					

Niveau Principal	Niveaux de Programmation		Description
Information (suite)	Channel Information	Tilt Fine	000–255 Statut de chaque canal
		P/T Speed	
		Dimmer	
		Dimmer Fine	
		Shutter	
		Virtual Shaking	
		Cyan	
		Magenta	
		Yellow	
		CTO	
		Color	
		Gobo	
		Gobo Rotate	
		Gobo Index	
		Gobo2	
		Animation	
		Animation Rotate	
		Focus	
		Focus Fine	
		Focus Auto	
		Zoom	
		Zoom Fine	
		Prism	
		Prism Rotate	
		Iris	
Frost			
Frost2			
CMY Macro			
CMY Macro Speed			
Special Function			

Valeurs DMX
33Ch

Canal	Fonction	Valeur	Pourcentage/Configuration
1	Balayage	000 ⇔ 255	0–100%
2	Balayage Fin	000 ⇔ 255	0–100%
3	Basculement	000 ⇔ 255	0–100%
4	Basculement Fin	000 ⇔ 255	0–100%
5	Vitesse de Balayage/ Basculement	000 ⇔ 255	0–100%
6	Gradateur	000 ⇔ 255	0–100%
7	Gradateur fin	000 ⇔ 255	0–100%
8	Obturbateur	000 ⇔ 003 004 ⇔ 007 008 ⇔ 076 077 ⇔ 145 146 ⇔ 215 216 ⇔ 255	Fermé Ouvert Lent à rapide Effet de pulsation lent à rapide Effet aléatoire lent à rapide Ouvert
9	Obturbateur Virtuel	000 ⇔ 001 002 ⇔ 128 129 ⇔ 255	Pas de fonction Stroboscope vibrant , rapide à lent Apparition en fondu / disparaître, rapide pour ralentir
10	Cyan	000 ⇔ 255	0–100%
11	Magenta	000 ⇔ 255	0–100%

Canal	Fonction	Valeur	Pourcentage/Configuration
12	Jaune	000 ⇔ 255	0–100%
13	CTO	000 ⇔ 255	0–100%
14	Roue de Couleurs	000 ⇔ 006 007 ⇔ 013 014 ⇔ 020 021 ⇔ 027 028 ⇔ 034 035 ⇔ 041 042 ⇔ 048 049 ⇔ 059 060 ⇔ 187 188 ⇔ 219 220 ⇔ 223 224 ⇔ 255	Ouvert Rouge Orange Vert Bleu Magenta UV CTO Couleurs séparées Défilement horaire de couleur, rapide à lent Arrêt Défilement de couleur dans le sens antihoraire, lent à rapide
15	Roue de Gobo en rotation 1	000 ⇔ 007 008 ⇔ 015 016 ⇔ 023 024 ⇔ 031 032 ⇔ 039 040 ⇔ 047 048 ⇔ 055 056 ⇔ 063 064 ⇔ 071 072 ⇔ 079 080 ⇔ 087 088 ⇔ 095 096 ⇔ 103 104 ⇔ 111 112 ⇔ 119 120 ⇔ 127 128 ⇔ 191 192 ⇔ 255	Ouvert Gobo 1 (Voilier) Gobo 2 (Point radial) Gobo 3 (Lame de tondeuse) Gobo 4 (Des boulons) Gobo 5 (Verre de douche) Gobo 6 (Nuages balistiques) Gobo 7 (Quatre yeux) Tremblement Gobo 7 Tremblement Gobo 6 Tremblement Gobo 5 Tremblement Gobo 4 Tremblement Gobo 3 Tremblement Gobo 2 Tremblement Gobo 1 Ouvert Défilement horaire de gobo, rapide à lent Défilement antihoraire de gobo, lent à rapide
16	Rotation 1 de Gobo	000 ⇔ 063 064 ⇔ 145 146 ⇔ 151 152 ⇔ 231 232 ⇔ 255	Index de rotation de gobo Rotation horaire, lent à rapide Arrêt Rotation antihoraire, lent à rapide Effet de rebond
17	Roue de Gobos 1 Index d'incrément	000 ⇔ 255	0–100%
18	Roue de Gobo statique 2	000 ⇔ 005 006 ⇔ 011 012 ⇔ 017 018 ⇔ 023 024 ⇔ 029 030 ⇔ 035 036 ⇔ 041 042 ⇔ 047 048 ⇔ 053 054 ⇔ 063 064 ⇔ 069 070 ⇔ 075 076 ⇔ 081 082 ⇔ 087 088 ⇔ 093 094 ⇔ 099 100 ⇔ 105 106 ⇔ 111 112 ⇔ 117 118 ⇔ 127 128 ⇔ 191 192 ⇔ 255	Ouvert Gobo 1 (Faisceau de lumière) Gobo 2 (Les bars) Gobo 3 (Cercles) Gobo 4 (Briser) Gobo 5 (Points) Gobo 6 (Circuits) Gobo 7 (Triangles) Gobo 8 (Forêt) Gobo 9 (Arcs en ciel) Tremblement Gobo 9 Tremblement Gobo 8 Tremblement Gobo 7 Tremblement Gobo 6 Tremblement Gobo 5 Tremblement Gobo 4 Tremblement Gobo 3 Tremblement Gobo 2 Tremblement Gobo 1 Ouvert Défilement horaire de gobo, rapide à lent Défilement antihoraire de gobo, lent à rapide
19	Roue d'animation	000 ⇔ 255	0–100%

Cana	Fonction	Valeur	Pourcentage/Configuration
20	Roue d'animation en rotation	000 ⇔ 124 125 ⇔ 130 131 ⇔ 255	Rotation horaire, lent à rapide Arrêt Rotation antihoraire, lent à rapide
21	Mise au Point	000 ⇔ 255	0–100%
22	Mise au Point Fine	000 ⇔ 255	0–100%
23	Mise au Point Automatique	000 ⇔ 010 011 ⇔ 030 031 ⇔ 050 051 ⇔ 070 071 ⇔ 090 091 ⇔ 110 111 ⇔ 130 131 ⇔ 150 151 ⇔ 170 171 ⇔ 190 191 ⇔ 210 211 ⇔ 255	Aucune fonction 0 à 5m 6 m 7 m 8 m 9 m 10 m 12,5 m 15 m 17,5 m 20 à 60 m Auto détection de distance
24	Zoom	000 ⇔ 255	0–100%
25	Zoom Fin	000 ⇔ 255	0–100%
26	Prisme	000 ⇔ 004 005 ⇔ 255	Aucune fonction Effet de prisme
27	Rotation du Prisme	000 ⇔ 127 128 ⇔ 189 190 ⇔ 193 194 ⇔ 255	Position de rotation Rotation horaire, lent à rapide Arrêt Rotation antihoraire, rapide à lent
28	Iris	000 ⇔ 063 064 ⇔ 127 128 ⇔ 191 192 ⇔ 255	0–100% Changement automatique, lent à rapide Zoom avant lent, zoom arrière rapide (lent à rapide) Zoom arrière lent, zoom avant rapide (lent à rapide)
29	Gel 1	000 ⇔ 255	0–100%
30	Gel 2	000 ⇔ 255	0–100%
31	Macro CMY	000 ⇔ 009 010 ⇔ 255	Aucune fonction Macro CMY
32	Vitesse de Macro CMY	000 ⇔ 255	100%–0

Cana	Fonction	Valeur	Pourcentage/Configuration
33	Contrôle	000 ⇔ 007	Aucune fonction
		008 ⇔ 015	Noir général XY
		016 ⇔ 023	Noir général C
		024 ⇔ 031	Noir général G
		032 ⇔ 039	Noir général XYC
		040 ⇔ 047	Noir général XYG
		048 ⇔ 055	Noir général XYCG
		056 ⇔ 095	Aucune fonction
		096 ⇔ 103	Réinitialisation X
		104 ⇔ 111	Réinitialisation Y
		112 ⇔ 119	Réinitialisation couleur
		120 ⇔ 127	Réinitialisation de gobo
		128 ⇔ 135	Aucune fonction
		136 ⇔ 143	Réinitialisation prisme
		144 ⇔ 151	Aucune fonction
		152 ⇔ 159	Tout réinitialiser
		160 ⇔ 167	Réinitialisation iris
		168 ⇔ 175	Réinitialisation gel
		176 ⇔ 183	Réinitialisation zoom
		184 ⇔ 191	Réinitialisation CMY
		192 ⇔ 199	Vitesse lente ventilateur
		200 ⇔ 207	Vitesse maximale ventilateur
		208 ⇔ 215	Ventilateur automatique
		216 ⇔ 220	Aucune fonction
		221 ⇔ 225	Mode rapide iris
		226 ⇔ 230	Mode doux iris
231 ⇔ 235	Permutation XY activée		
236 ⇔ 240	Permutation XY désactivée		
241 ⇔ 245	Aucune fonction		
246 ⇔ 250	Mode doux XY		
251 ⇔ 255	Mode rapide XY		

26Ch

Cana	Fonction	Valeur	Pourcentage/Configuration
1	Balayage	000 ⇔ 255	0–100%
2	Balayage Fin	000 ⇔ 255	0–100%
3	Basculement	000 ⇔ 255	0–100%
4	Basculement Fin	000 ⇔ 255	0–100%
5	Vitesse de Balayage/ Basculement	000 ⇔ 255	0–100%
6	Gradateur	000 ⇔ 255	0–100%
7	Obturbateur	000 ⇔ 003	Fermé
		004 ⇔ 007	Ouvert
		008 ⇔ 076	Lent à rapide
		077 ⇔ 145	Effet de pulsation lent à rapide
		146 ⇔ 215	Effet aléatoire lent à rapide
216 ⇔ 255	Ouvert		
8	Obturbateur Virtuel	000 ⇔ 001	Pas de fonction
		002 ⇔ 128	Stroboscope vibrant, rapide à lent
		129 ⇔ 255	Apparition en fondu/disparaître, rapide pour ralentir
9	Cyan	000 ⇔ 255	0–100%
10	Magenta	000 ⇔ 255	0–100%
11	Jaune	000 ⇔ 255	0–100%
12	CTO	000 ⇔ 255	0–100%

Cana	Fonction	Valeur	Pourcentage/Configuration
13	Roue de Couleurs	000 ⇄ 006	Ouvert
		007 ⇄ 013	Rouge
		014 ⇄ 020	Orange
		021 ⇄ 027	Vert
		028 ⇄ 034	Bleu
		035 ⇄ 041	Magenta
		042 ⇄ 048	UV
		049 ⇄ 059	CTO
		060 ⇄ 187	Couleurs séparées
		188 ⇄ 219	Défilement horaire de couleur, rapide à lent
		220 ⇄ 223	Arrêt
		224 ⇄ 255	Défilement de couleur dans le sens antihoraire, lent à rapide
14	Roue de Gobo en rotation 1	000 ⇄ 007	Ouvert
		008 ⇄ 015	Gobo 1 (Voilier)
		016 ⇄ 023	Gobo 2 (Arcs en ciel)
		024 ⇄ 031	Gobo 3 (Point radial)
		032 ⇄ 039	Gobo 4 (Des boulons)
		040 ⇄ 047	Gobo 5 (Quatre yeux)
		048 ⇄ 055	Gobo 6 (Points)
		056 ⇄ 063	Gobo 7 (Verre de douche)
		064 ⇄ 071	Tremblement Gobo 7
		072 ⇄ 079	Tremblement Gobo 6
		080 ⇄ 087	Tremblement Gobo 5
		088 ⇄ 095	Tremblement Gobo 4
		096 ⇄ 103	Tremblement Gobo 3
		104 ⇄ 111	Tremblement Gobo 2
		112 ⇄ 119	Tremblement Gobo 1
		120 ⇄ 127	Ouvert
		128 ⇄ 191	Défilement horaire de gobo, lent à rapide
192 ⇄ 255	Défilement antihoraire de gobo, lent à rapide		
15	Rotation 1 de Gobo	000 ⇄ 063	Index de rotation de gobo
		064 ⇄ 145	Rotation horaire, rapide à lent
		146 ⇄ 151	Arrêt
		152 ⇄ 231	Rotation antihoraire, lent à rapide
		232 ⇄ 255	Effet de rebond
16	Roue de Gobo statique 2	000 ⇄ 005	Ouvert
		006 ⇄ 011	Gobo 1 (Les bars)
		012 ⇄ 017	Gobo 2
		018 ⇄ 023	Gobo 3 (Briser)
		024 ⇄ 029	Gobo 4
		030 ⇄ 035	Gobo 5 (Triangles)
		036 ⇄ 041	Gobo 6 (Circuits)
		042 ⇄ 047	Gobo 7 (Cercles)
		048 ⇄ 053	Gobo 8 (Forêt)
		054 ⇄ 063	Gobo 9 (Nuages balistiques)
		064 ⇄ 069	Tremblement Gobo 9
		070 ⇄ 075	Tremblement Gobo 8
		076 ⇄ 081	Tremblement Gobo 7
		082 ⇄ 087	Tremblement Gobo 6
		088 ⇄ 093	Tremblement Gobo 5
		094 ⇄ 099	Tremblement Gobo 4
		100 ⇄ 105	Tremblement Gobo 3
		106 ⇄ 111	Tremblement Gobo 2
		112 ⇄ 117	Tremblement Gobo 1
118 ⇄ 127	Ouvert		
128 ⇄ 191	Défilement horaire de gobo, rapide à lent		
192 ⇄ 255	Défilement antihoraire de gobo, lent à rapide		
17	Roue d'animation	000 ⇄ 255	0–100%
18	Roue d'animation en rotation	000 ⇄ 124	Rotation horaire, lent à rapide
		125 ⇄ 130	Arrêt
		131 ⇄ 255	Rotation antihoraire, lent à rapide
19	Mise au Point	000 ⇄ 255	0–100%
20	Zoom	000 ⇄ 255	0–100%
21	Prisme	000 ⇄ 004	Aucune fonction
		005 ⇄ 255	Effet de prisme

Cana	Fonction	Valeur	Pourcentage/Configuration
22	Rotation du Prisme	000 ⇔ 127	Position de rotation
		128 ⇔ 189	Rotation horaire, lent à rapide
		190 ⇔ 193	Arrêt
		194 ⇔ 255	Rotation antihoraire, rapide à lent
23	Iris	000 ⇔ 063	Grand à petit
		064 ⇔ 127	Changement automatique, lent à rapide
		128 ⇔ 191	Zoom avant lent, zoom arrière rapide (lent à rapide)
		192 ⇔ 255	Zoom arrière lent, zoom avant rapide (lent à rapide)
24	Diffusion 1	000 ⇔ 255	0–100%
25	Diffusion 2	000 ⇔ 255	0–100%
26	Contrôle	000 ⇔ 007	Aucune fonction
		008 ⇔ 015	Noir général XY
		016 ⇔ 023	Noir général C
		024 ⇔ 031	Noir général G
		032 ⇔ 039	Noir général XYC
		040 ⇔ 047	Noir général XYG
		048 ⇔ 055	Noir général XYCG
		056 ⇔ 095	Aucune fonction
		096 ⇔ 103	Réinitialisation X
		104 ⇔ 111	Réinitialisation Y
		112 ⇔ 119	Réinitialisation couleur
		120 ⇔ 127	Réinitialisation de gobo
		128 ⇔ 135	Aucune fonction
		136 ⇔ 143	Réinitialisation prisme
		144 ⇔ 151	Aucune fonction
		152 ⇔ 159	Tout réinitialiser
		160 ⇔ 167	Réinitialisation iris
		168 ⇔ 175	Réinitialisation gel
		176 ⇔ 183	Réinitialisation zoom
		184 ⇔ 191	Réinitialisation CMY
		192 ⇔ 199	Vitesse lente ventilateur
		200 ⇔ 207	Vitesse maximale ventilateur
		208 ⇔ 215	Ventilateur automatique
		216 ⇔ 220	Aucune fonction
		221 ⇔ 225	Mode rapide iris
		226 ⇔ 230	Mode doux iris
		231 ⇔ 235	Permutation XY activée
		236 ⇔ 240	Permutation XY désactivée
241 ⇔ 245	Aucune fonction		
246 ⇔ 250	Mode doux XY		
251 ⇔ 255	Mode rapide XY		

Über diese Schnellanleitung

In der Schnellanleitung des Maverick Storm 1 Spot finden Sie die wesentlichen Produktinformationen, wie etwa über den Anschluss, die Montage, Menüoptionen und DMX-Werte des Geräts. Laden Sie für weiterführende Informationen unter www.chauvetprofessional.com das Benutzerhandbuch herunter.

Haftungsausschluss

Die in dieser Anleitung aufgeführten Informationen und Spezifikationen können ohne vorherige Ankündigung geändert werden.

EINGESCHRÄNKTE GARANTIE

ZUR REGISTRIERUNG FÜR GARANTIEANSPRÜCHE UND ZUR EINSICHT IN DIE VOLLSTÄNDIGEN GESCHÄFTSBEDINGUNGEN BESUCHEN SIE BITTE UNSERE WEBSITE.

Für Kunden in den USA und in Mexiko: www.chauvetlighting.com/warranty-registration.

Für Kunden im Vereinigten Königreich, in Irland, Belgien, den Niederlanden, Luxemburg, Frankreich und Deutschland: www.chauvetlighting.eu/warranty-registration.

Chauvet garantiert für die in der auf unserer Website veröffentlichten vollständigen eingeschränkten Garantie genannten Dauer und unter Vorbehalt der darin genannten Haftungsausschlüsse und -beschränkungen, dass dieses Produkt bei normalen Gebrauch frei von Material- und Verarbeitungsfehlern ist. Diese Garantie erstreckt sich nur auf den Erstkäufer des Produkts und ist nicht übertragbar. Zur Ausübung der unter dieser Garantie gewährten Rechte ist der Kaufbeleg in Form der Originalrechnung von einem autorisierten Händler vorzulegen, in der die Produktbezeichnung und das Kaufdatum vermerkt sein müssen. ES BESTEHEN KEINE WEITEREN AUSDRÜCKLICHEN ODER STILLSCHWEIGENDEN GARANTIEN. Diese Garantie gibt Ihnen besondere gesetzliche Rechte. Und Sie haben möglicherweise weitere Rechte, die von Land zu Land unterschiedlich sein können. Diese Garantie ist nur in den USA, im Vereinigten Königreich, in Irland, Belgien, den Niederlanden, Luxemburg, Frankreich, Deutschland und Mexiko gültig. Bezüglich der Garantiebestimmungen in anderen Ländern wenden Sie sich bitte an Ihren lokalen Händler.

Sicherheitshinweise

Diese Sicherheitshinweise enthalten wichtige Informationen über die Montage, Verwendung und Wartung des Geräts.

- Dieses Gerät NICHT öffnen. Die eingebauten Komponenten sind für den Kunden wartungsfrei.
- NIEMALS in die Lichtquelle schauen, während das Gerät eingeschaltet ist.
- Um unnötigen Verschleiß zu vermeiden und die Lebensdauer des Geräts zu verlängern, trennen Sie während längerer Perioden des Nichtgebrauchs das Gerät vom Stromnetz – entweder per Trennschalter oder durch Herausziehen des Steckers aus der Steckdose.
- VORSICHT: Beim Transport des Geräts von einer Umgebung mit außergewöhnlichen Temperaturen in eine andere solche Umgebung (z. B. aus einem kalten Transporter in einen warm-feuchten Ballsaal) kann an der im Gerät enthaltenen Elektronik Wasser kondensieren. Um einen Defekt zu vermeiden, muss sich das Gerät erst in der neuen Umgebung akklimatisiert haben, bevor es an die Stromversorgung angeschlossen werden kann.
- VORSICHT: Das Gehäuse dieses Produkts kann während des Betriebs heiß werden.
- Installieren Sie das Gerät an einem Ort mit ausreichender Belüftung und mit einem Abstand von mindestens 50 cm zu den angrenzenden Flächen.
- Belassen Sie KEINE entflammbar Materialien in einem Umkreis von 50 cm dieses Geräts, während es in Betrieb oder an der Stromversorgung angeschlossen ist.
- VERWENDEN Sie bei Montage über Kopf immer ein Sicherheitsseil.
- Dieses Gerät darf NICHT in Wasser eingetaucht werden (IP65). Eine regelmäßige Verwendung dieses Geräts im Freien ist möglich.
- NIEMALS das Gerät in Betrieb nehmen, wenn Ihnen das Gehäuse, die Linsen oder das Kabel beschädigt erscheinen.
- Schließen Sie dieses Gerät NICHT an einen Dimmer oder Regelwiderstand an.
- Schließen Sie dieses Produkt NUR an einen mit der Erde verbundenen und geschützten Stromkreis an.
- Das Gerät NUR an den Hänge-/Befestigungsbügeln oder Griffen tragen.
- Bei ernsthaften Betriebsproblemen stoppen Sie umgehend die Verwendung des Geräts.
- Die maximal zulässige Umgebungstemperatur beträgt 45 °C. Nehmen Sie das Gerät nicht bei höheren Temperaturen in Betrieb.
- Die zulässige Mindesttemperatur für den Start beträgt -20 °C. Starten Sie das Gerät nicht bei niedrigeren Temperaturen.
- Die minimal zulässige Umgebungstemperatur beträgt -30 °C. Nehmen Sie das Gerät nicht bei niedrigeren Temperaturen in Betrieb.

FCC-Konformität

Dieses Gerät erfüllt Teil 15, Teil B, der FCC-Bestimmungen. Der Betrieb ist an folgende zwei Bedingungen geknüpft:

1. Dieses Gerät darf keine schädlichen Interferenzen verursachen, und
2. Dieses Gerät muss empfangende Interferenzen aufnehmen können, auch Interferenzen, die eventuell einen unerwünschten Betrieb verursachen.

Jegliche Änderungen oder Modifikationen, die nicht ausdrücklich von der Partei genehmigt wurden, die für die Compliance zuständig ist, könnten die Berechtigung des Benutzers zum Betrieb dieses Geräts aufheben.

Warnung vor Exposition gegenüber HF für Nordamerika und Australien

Warnung! Dieses Gerät entspricht den FCC-Grenzwerten für Strahlenbelastung, die für eine nicht kontrollierte Umgebung festgelegt wurden. Dieses Gerät sollte so installiert und in Betrieb gesetzt werden, dass ein Mindestabstand von 20 cm zwischen dem Gerät und Ihrem Körper gewährleistet ist. Der Sender darf nicht in der Nähe anderer Antennen oder Sender aufgestellt oder in Verbindung mit anderen Antennen oder Sendern betrieben werden.

Kontakt

Kunden außerhalb der USA, GB, Irland, Benelux, Frankreich, Deutschland oder Mexiko wenden sich an ihren Lieferanten, um den Kundensupport in Anspruch zu nehmen oder ein Produkt zurückzuschicken. Kontaktinformationen finden Sie im [Contact Us](#) am Ende dieses QRG.

Packungsinhalt

- Maverick Storm 1 Spot
- Seetronic Powerkon IP65-Stromkabel
- 2 Omega-Hängebügel mit Befestigungsmaterial
- Schnellanleitung

Wechselstrom

Dieses Gerät verfügt über ein Vorschaltgerät, das automatisch die anliegende Spannung erkennt und kann mit einer Eingangsspannung von 100~240 V AC, 50/60 Hz arbeiten.

Wechselstromstecker

Anschluss	Draht (USA)	Draht (Europa)	Schraubenfarbe
Stromführender AC-Leiter	Schwarz	Braun	Gelb/Messingfarben
AC-Neutralleiter	Weiß	Blau	Silber
AC-Erdungsleiter	Grün/Gelb	Grün/Gelb	Grün



Um unnötigen Verschleiß zu vermeiden und die Lebensdauer des Geräts zu verlängern, trennen Sie während längerer Perioden des Nichtgebrauchs das Gerät vom Stromnetz – entweder per Trennschalter oder durch Herausziehen des Steckers aus der Steckdose.

Auswechseln der Sicherung

1. Trennen Sie das Gerät vom Stromnetz.
2. Mit einem Flachkopfschraubendreher lösen Sie die Abdeckung des Sicherungshalters vom Gehäuse.
3. Entfernen Sie die durchgebrannte Sicherung, und ersetzen Sie diese durch eine Sicherung des gleichen Typs und mit den gleichen Werten.
4. Schrauben Sie die Abdeckung der Sicherung wieder ein, und schließen Sie das Gerät wieder an das Stromnetz an.

DMX-Verbindung

Der Maverick Storm 1 Spot kann mit einem DMX-Controller betrieben werden, wenn eine 5-polige DMX-Serienschaltung zum Einsatz kommt. Sie können sich eine Einführung in DMX unter www.chauvetprofessional.com herunterladen.

DMX-Anschluss

Der Maverick Storm 1 Spot nutzt zur Steuerung seiner 2 DMX-Eigenschaften eine 5-polige DMX-Datenverbindung. Informationen zum Anschließen und Konfigurieren des Geräts für einen DMX-Betrieb finden Sie in der Bedienungsanleitung.

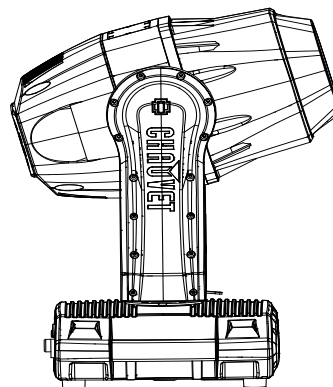
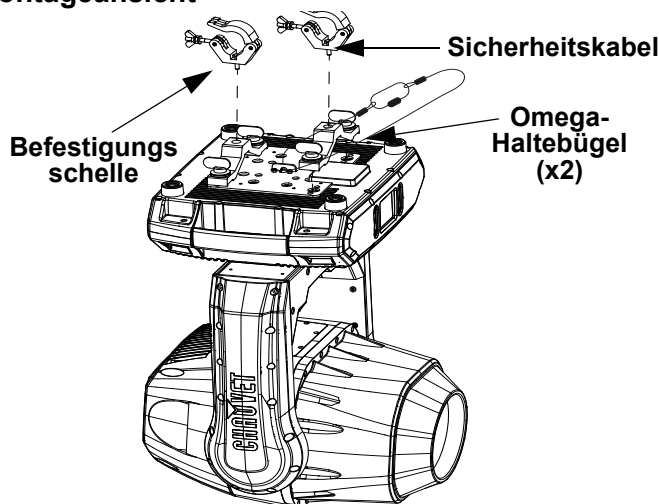
RDM (Remote Device Management)

Remote Device Management bzw. RDM ist ein Standard, mit dem DMX-aktivierte Geräte bidirektional entlang bestehender DMX-Kabel kommunizieren können. Lesen Sie die Bedienungsanleitung des DMX-Controllers oder wenden Sie sich an den Hersteller, da nicht alle DMX-Controller über diese Funktion verfügt. Der Maverick Storm 1 Spot unterstützt das RDM-Protokoll, das ein Feedback zur Vornahme von Änderungen der Menüoptionen erlaubt. Laden Sie für weiterführende Informationen unter www.chauvetprofessional.com das Benutzerhandbuch herunter.

Montage

Lesen Sie vor der Montage dieses Geräts in jedem Fall die [Sicherheitshinweise](#). Verwenden Sie mindestens 2 Befestigungspunkte pro Gerät. Stellen Sie sicher, dass die Befestigungsklemmen dafür ausgelegt sind, das Produktgewicht tragen zu können. Informationen zu unserer CHAUVET-Produktlinie für Befestigungsklemmen finden Sie unter <http://trusst.com/products>.

Montageansicht



Montage über Kopf

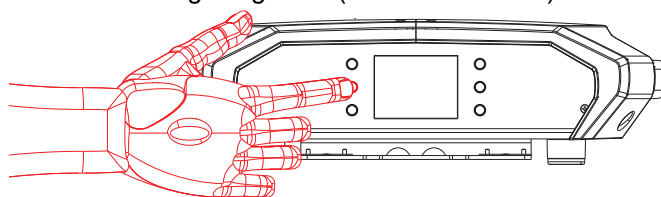
Oberflächenmontage

Beschreibung des Bedienfeldes

Taste	Name	Funktion
< ↑ >	<UP>	Damit navigieren Sie sich durch die Menüpunkte nach oben oder erhöhen den numerischen Wert der entsprechenden Funktion
< ≡ >	<MENU>	Damit verlassen Sie das aktuelle Menü oder die Funktion
< ↓ >	<DOWN>	Damit navigieren Sie sich durch die Menüpunkte nach unten oder verringern den numerischen Wert der entsprechenden Funktion
< ← >	<LEFT>	Damit navigieren Sie nach links durch die Menüpunkte
< ↵ >	<ENTER>	Damit wird das aktuell angezeigte Menü aktiviert oder der aktuell ausgewählte Wert einer Funktion eingestellt
< → >	<RIGHT>	Damit navigieren Sie nach rechts durch die Menüpunkte

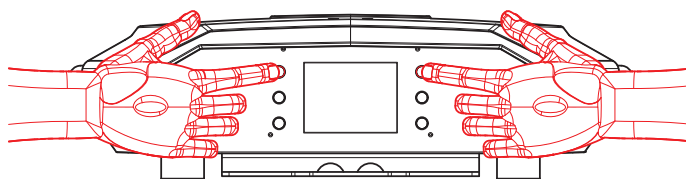
Batteriebetriebene Anzeige

Halten Sie gedrückt, bis der Menübildschirm angezeigt wird (ca. 15 Sekunden).



Verfolgungsmodus

Im Verfolgungsmodus werden die Schwenk- und Neigemotoren deaktiviert, sodass die Ausgabe des Produkts von Hand erfolgen kann. Um den Verfolgungsmodus für den Maverick Storm 1 Spot zu aktivieren, halten Sie beim Einschalten des Produkts die Tasten <UP> und <LEFT> gedrückt. Wenn das Produkt aus- und wieder eingeschaltet wird, kehren Schwenk- und Neigefunktionen zur normalen Funktion zurück.



Menüstruktur

Hauptebene	Programmirebenen	Beschreibung	
Address	001–512	Stellt die DMX-Startadresse ein	
Network Setup	IP Mode	Manual	
		DHCP	
		Static	
	Universe	000–255	Setze das Universum
	Ip	-----	IP-Einstellung
SubMask	-----	Subnetzmaske	
Personality	DMX 26CH	YES	
		NO	
	DMX 33CH	NO	
		YES	
Settings	Control Mode	DMX	
		WDMX	
		ArtNet	
		sACN	
	Pan Reverse	NO	
		YES	
	Tilt Reverse	NO	
		YES	
	Screen Reverse	NO	
		YES	
		AUTO	
	Pan Angle	540	
		360	
		180	
	Tilt Angle	270	
		180	
		90	
	BL. O. P/T Move	NO	
		YES	
	BL. O. Color Move	NO	
		YES	
	BL. O. Gobo Move	NO	
		YES	
	Lock Screen	NO	
		YES	
	Swap XY	NO	
		YES	
	WDMX Reset	NO	
		YES	
	Backlight Timer	30S	
		1M	
		5M	
ON			
Loss of Data	Hold		
	Close		

Hauptebene	Programmirebenen		Beschreibung
Settings (Fortsetzung)	Fans	Auto	Ändern Sie den Lüftergeschwindigkeitsmodus
		Full	
		ECO	
	Theatrical Dimming	ON	Aktivieren / Deaktivieren des Dimmens im Theater
		OFF	
	Dimmer Curve	Linear	Stellen Sie die Dimmerkurve ein
		Square	
		I Squa	
		SCurve	
	PWM Option	600Hz	PWM-Auswahl
		1200Hz	
		2000Hz	
		4000Hz	
		6000Hz	
		15000Hz	
	Smart Zoom	OFF	Aktivieren / Deaktivieren der Smart-Zoom-Funktion
		ON	
	Beam Correction	OFF	Aktivieren / Deaktivieren Sie die Strahlkorrektur
		ON	
	Preset Select	PRESET A	Aufgezeichnete voreingestellte Menüoptionen
		PRESET B	
		PRESET C	
	Preset Sync	NO	Ermöglicht die Übertragung der aufgezeichneten voreingestellten Menüoptionen an andere Maverick MK3-Spots in der DMX-Verkettung
YES			
Reset Function	Pan/Tilt	NO/YES	Einzelne Funktionen auf Werkseinstellung zurücksetzen
	Iris/Prism		
	Color/CMY		
	Gobo/Gobo Rotate		
	Frost		
	All		Setzt alle Funktionen auf die Standardeinstellungen zurück
Factory Settings	NO	Setzt alle Funktionen auf die Standardeinstellungen zurück	
	YES		

Hauptebene	Programmirebenen		Beschreibung	
Test	Auto Test		Startet die Testsequenz des Produkts	
	Manual Test	Pan	000-255	Ermöglicht die manuelle Steuerung aller Einstellungen vom Bedienfeld aus
		Pan Fine		
		Tilt		
		Tilt Fine		
		P/T Speed		
		Dimmer		
		Dimmer Fine		
		Shutter		
		Virtual Shaking		
		Cyan		
		Magenta		
		Yellow		
		CTO		
		Color		
		Gobo		
		Gobo Rotate		
		Gobo Index		
		Gobo2		
		Animation		
		Animation Rotate		
		Focus		
		Focus Fine		
		Focus Auto		
		Zoom		
		Zoom Fine		
		Prism		
Prism Rotate				
Iris				
Frost				
Frost2				
CMY Macro				
CMY Macro Speed				
Special Function				

Hauptebene	Programmirebenen		Beschreibung
Information	Fixture Information	Ver	V_ Aktuelle Version
		Running Mode	--- Aktueller Modus
		DMX Address	--- Aktuelle Temperatur
		Temperature	--- Aktuelle aktive Stunden
	Fixture Information	Fixture Hours	----- Aktuelle IP-Adresse
		Ip	----- Aktuelle Subnetzmaske
		SubMask	----- MAC-Adresse
	Fan Information	MAC	-----
		Base Fan1 Speed	-----
		Base Fan2 Speed	-----
		head Fan1 Speed	-----
	Error Information	head Fan2 Speed	-----
		Error Information	-----
	Channel Information	Frequency	Hz
		Pan	000–255
		Pan Fine	
		Tilt	
		Tilt Fine	
		P/T Speed	
		Dimmer	
		Dimmer Fine	
		Shutter	
		Virtual Shaking	
		Cyan	
		Magenta	
		Yellow	
		CTO	
		Color	
		Gobo	
		Gobo Rotate	
		Gobo Index	
		Gobo2	
Animation			
Animation Rotate			
Focus			
Focus Fine			
Focus Auto			
Zoom			
Zoom Fine			
Prism			
Prism Rotate			
Iris			
Frost			
Frost2			
CMY Macro			
CMY Macro Speed			
Special Function			

Erscheint auf dem Bildschirm

Status of individual channel

DE

DMX-Werte 33CH

Kanal	Funktion	Wert	Prozent/Einstellung
1	Schwenkung	000 ⇔ 255	0–100%
2	Schwenkung fein	000 ⇔ 255	Feinststeuerung (16-Bit)
3	Neigung	000 ⇔ 255	0–100%
4	Neigung fein	000 ⇔ 255	Feinststeuerung (16-Bit)
5	Schwenk- und Neige-Geschwindigkeit	000 ⇔ 255	0–100%
6	Dimmer	000 ⇔ 255	0–100%
7	Dimmer fein	000 ⇔ 255	Feinststeuerung (16-Bit)
8	Shutter	000 ⇔ 003 004 ⇔ 007 008 ⇔ 076 077 ⇔ 145 146 ⇔ 215 216 ⇔ 255	Geschlossen Offen Langsam bis schnell Synchronisierung Stroboskopeffekt, langsam bis schnell Zufälliger Effekt von langsam bis schnell Geschlossen
9	Virtueller shutter	000 ⇔ 001 002 ⇔ 128 129 ⇔ 255	Keine Funktion Schüttelblitz, langsam bis schnell Ein- / Ausblenden, langsam bis schnell
10	Cyan	000 ⇔ 255	0–100%
11	Magenta	000 ⇔ 255	0–100%
12	Gelb	000 ⇔ 255	0–100%
13	CTO	000 ⇔ 255	0–100%
14	Farbrad	000 ⇔ 006 007 ⇔ 013 014 ⇔ 020 021 ⇔ 027 028 ⇔ 034 035 ⇔ 041 042 ⇔ 048 049 ⇔ 059 060 ⇔ 187 188 ⇔ 219 220 ⇔ 223 224 ⇔ 255	Offen Rot Orange Grün Blau Magenta Ultraviolett CTO Geteilte Farben Farbverlauf im Uhrzeigersinn, schnell bis langsam Halt Farbverlauf im Gegenuhrzeigersinn, langsam bis schnell
15	Rotierendes Goborad 1	000 ⇔ 007 008 ⇔ 015 016 ⇔ 023 024 ⇔ 031 032 ⇔ 039 040 ⇔ 047 048 ⇔ 055 056 ⇔ 063 064 ⇔ 071 072 ⇔ 079 080 ⇔ 087 088 ⇔ 095 096 ⇔ 103 104 ⇔ 111 112 ⇔ 119 120 ⇔ 127 128 ⇔ 191 192 ⇔ 255	Offen Gobo 1 (Segelboote) Gobo 2 (Radialer Punkt) Gobo 3 (Rasenmäherklinge) Gobo 4 (Bolzen) Gobo 5 (Duschglas) Gobo 6 (Ballistische Wolken) Gobo 7 (Vier Augen) Gobo 7 Schütteln Gobo 6 Schütteln Gobo 5 Schütteln Gobo 4 Schütteln Gobo 3 Schütteln Gobo 2 Schütteln Gobo 1 Schütteln Offen Gobo-Scroll im Uhrzeigersinn, langsam bis schnell Gobo-Scroll im Gegenuhrzeigersinn, langsam bis schnell
16	Gobo 1 Drehen	000 ⇔ 063 064 ⇔ 145 146 ⇔ 151 152 ⇔ 231 232 ⇔ 255	Rotierender Gobo-Index Im Uhrzeigersinn drehend, schnell bis langsam Halt Gegen den Uhrzeigersinn drehen, langsam bis schnell Bounce-Effekt
17	Feines Goborad 1 Index	000 ⇔ 255	Feinststeuerung (16 Bit)

Kanal	Funktion	Wert	Prozent/Einstellung
18	Statisches Gobo-Rad 2	000 ⇔ 005	Offen
		006 ⇔ 011	Gobo 1 (Strahl)
		012 ⇔ 017	Gobo 2 (Riegel)
		018 ⇔ 023	Gobo 3 (Kreise)
		024 ⇔ 029	Gobo 4 (Zerbrechen)
		030 ⇔ 035	Gobo 5 (Punkte)
		036 ⇔ 041	Gobo 6 (Schaltungen)
		042 ⇔ 047	Gobo 7 (Dreiecke)
		048 ⇔ 053	Gobo 8 (Wald)
		054 ⇔ 063	Gobo 9 (Regenbögen)
		064 ⇔ 069	Gobo 9 Schütteln
		070 ⇔ 075	Gobo 8 Schütteln
		076 ⇔ 081	Gobo 7 Schütteln
		082 ⇔ 087	Gobo 6 Schütteln
		088 ⇔ 093	Gobo 5 Schütteln
		094 ⇔ 099	Gobo 4 Schütteln
		100 ⇔ 105	Gobo 3 Schütteln
106 ⇔ 111	Gobo 2 Schütteln		
112 ⇔ 117	Gobo 1 Schütteln		
118 ⇔ 127	Offen		
128 ⇔ 191	Gobo-Scroll im Uhrzeigersinn, langsam bis schnell		
192 ⇔ 255	Gobo-Scroll im Gegenuhrzeigersinn, langsam bis schnell		
19	Animationsrad	000 ⇔ 255	Animationseffekt
20	Animationsrad drehen	000 ⇔ 124	Im Uhrzeigersinn drehend, schnell bis langsam
		125 ⇔ 130	Halt
		131 ⇔ 255	Gobo-Scroll im Gegenuhrzeigersinn, schnell bis langsam
21	Fokus	000 ⇔ 255	0–100%
22	Feiner Fokus	000 ⇔ 255	Feinststeuerung (16 Bit)
23	Autofokus	000 ⇔ 010	Keine Funktion
		011 ⇔ 030	0–5 m
		031 ⇔ 050	6 m
		051 ⇔ 070	7 m
		071 ⇔ 090	8 m
		091 ⇔ 110	9 m
		111 ⇔ 130	10 m
		131 ⇔ 150	12.5 m
		151 ⇔ 170	15 m
		171 ⇔ 190	17.5 m
		191 ⇔ 210	20–60 m
211 ⇔ 255	Entfernung automatisch erkennen		
24	Zoomen	000 ⇔ 255	0–100%
25	Feiner Zoom	000 ⇔ 255	Feinststeuerung (16 Bit)
26	Prisma	000 ⇔ 004	Keine Funktion
		005 ⇔ 255	Prismeneffekt
27	Rotierendes Prisma	000 ⇔ 127	Drehposition
		128 ⇔ 189	Im Uhrzeigersinn drehend, schnell bis langsam
		190 ⇔ 193	Halt
		194 ⇔ 255	Gegen den Uhrzeigersinn drehen, langsam bis schnell
28	Iris	000 ⇔ 063	0–100%
		064 ⇔ 127	Automatische Änderung, langsam bis schnell
		128 ⇔ 191	Langsam herauszoomen, schnell hineinzoomen
		192 ⇔ 255	Langsam zoomen, schnell verkleinern
29	Frost 1	000 ⇔ 255	0–100%
30	Frost 2	000 ⇔ 255	0–100%
31	CMY-Makro	000 ⇔ 009	Keine Funktion
		010 ⇔ 255	CMY-Makro
32	CMY-Makrodrehzahl	000 ⇔ 255	0–100%

Kanal	Funktion	Wert	Prozent/Einstellung
33	Steuerung	000 ⇔ 007	Keine Funktion
		008 ⇔ 015	Blackout Schwenken / Neigen
		016 ⇔ 023	Farbe Blackout
		024 ⇔ 031	Gobo-Blackout
		032 ⇔ 039	Schwenken / Neigen / Farbe Blackout
		040 ⇔ 047	Schwenken / Neigen / Gobo-Blackout
		048 ⇔ 055	Schwenken / Neigen / Farbe / Gobo-Blackout
		056 ⇔ 095	Keine Funktion
		096 ⇔ 103	Schwenken zurücksetzen
		104 ⇔ 111	Neigen zurücksetzen
		112 ⇔ 119	Farbe zurücksetzen
		120 ⇔ 127	Gobo zurücksetzen
		128 ⇔ 135	Keine Funktion
		136 ⇔ 143	Setzen Sie das Prisma zurück
		144 ⇔ 151	Alles zurückgesetzt
		152 ⇔ 159	Iris zurückgesetzt
		160 ⇔ 167	Frost zurückgesetzt
		168 ⇔ 175	Zoom zurücksetzen
		176 ⇔ 183	CMY zurücksetzen
		184 ⇔ 191	Lüfter mit niedriger Geschwindigkeit
		192 ⇔ 199	Lüfter volle Geschwindigkeit
		200 ⇔ 207	Automatischer Lüfter
		208 ⇔ 215	Keine Funktion
		216 ⇔ 220	Iris-Schnellmodus
		221 ⇔ 225	Iris im sanften Modus
		226 ⇔ 230	Schwenk- / Neigungswechsel
		231 ⇔ 235	Schwenken / Neigen auf
		236 ⇔ 240	Schwenken / Neigen ausschalten
		241 ⇔ 245	Keine Funktion
		246 ⇔ 250	Schwenk- / Neigungsmodus glatt
251 ⇔ 255	Schwenk- / Neigungsmodus schnell		

26CH

Kanal	Funktion	Wert	Prozent/Einstellung
1	Schwenkung	000 ⇔ 255	0–100%
2	Schwenkung fein	000 ⇔ 255	Feinststeuerung (16-Bit)
3	Neigung	000 ⇔ 255	0–100%
4	Neigung fein	000 ⇔ 255	Feinststeuerung (16-Bit)
5	Schwenk- und Neige-Geschwindigkeit	000 ⇔ 255	0–100%
6	Dimmer	000 ⇔ 255	0–100%
7	Shutter	000 ⇔ 003	Geschlossen
		004 ⇔ 007	Offen
		008 ⇔ 076	Langsam bis schnell
		077 ⇔ 145	Synchronisierung Stroboskopeffekt, langsam bis schnell
		146 ⇔ 215	Zufälliger Effekt von langsam bis schnell
8	Virtueller shutter	216 ⇔ 255	Geschlossen
		000 ⇔ 001	Keine Funktion
		002 ⇔ 128	Schüttelblitz, langsam bis schnell
		129 ⇔ 255	Ein- / Ausblenden, langsam bis schnell
9	Cyan	000 ⇔ 255	0–100%
10	Magenta	000 ⇔ 255	0–100%
11	Gelb	000 ⇔ 255	0–100%
12	CTO	000 ⇔ 255	0–100%

Kanal	Funktion	Wert	Prozent/Einstellung
13	Farbrad	000 ⇔ 006	Offen
		007 ⇔ 013	Rot
		014 ⇔ 020	Orange
		021 ⇔ 027	Grün
		028 ⇔ 034	Blau
		035 ⇔ 041	Magenta
		042 ⇔ 048	Ultraviolett
		049 ⇔ 059	CTO
		060 ⇔ 187	Geteilte Farben
		188 ⇔ 219	Farbverlauf im Uhrzeigersinn, schnell bis langsam
		220 ⇔ 223	Halt
		224 ⇔ 255	Farbverlauf im Gegenuhrzeigersinn, langsam bis schnell
		14	Rotierendes Goborad 1
008 ⇔ 015	Gobo 1 (Segelboote)		
016 ⇔ 023	Gobo 2 (Regenbögen)		
024 ⇔ 031	Gobo 3 (Radialer Punkt)		
032 ⇔ 039	Gobo 4 (Bolzen)		
040 ⇔ 047	Gobo 5 (Vier Augen)		
048 ⇔ 055	Gobo 6 (Punkte)		
056 ⇔ 063	Gobo 7 (Duschglas)		
064 ⇔ 071	Gobo 7 Schütteln		
072 ⇔ 079	Gobo 6 Schütteln		
080 ⇔ 087	Gobo 5 Schütteln		
088 ⇔ 095	Gobo 4 Schütteln		
096 ⇔ 103	Gobo 3 Schütteln		
104 ⇔ 111	Gobo 2 Schütteln		
112 ⇔ 119	Gobo 1 Schütteln		
120 ⇔ 127	Offen		
128 ⇔ 191	Gobo-Scroll im Uhrzeigersinn, langsam bis schnell		
192 ⇔ 255	Gobo-Scroll im Gegenuhrzeigersinn, langsam bis schnell		
15	Gobo 1 Drehen	000 ⇔ 063	Rotierender Gobo-Index
		064 ⇔ 145	Im Uhrzeigersinn drehend, schnell bis langsam
		146 ⇔ 151	Halt
		152 ⇔ 231	Gegen den Uhrzeigersinn drehen, langsam bis schnell
		232 ⇔ 255	Bounce-Effekt
16	Statisches Gobo-Rad 2	000 ⇔ 005	Offen
		006 ⇔ 011	Gobo 1 (Riegel)
		012 ⇔ 017	Gobo 2
		018 ⇔ 023	Gobo 3 (Zerbrechen)
		024 ⇔ 029	Gobo 4
		030 ⇔ 035	Gobo 5 (Dreiecke)
		036 ⇔ 041	Gobo 6 (Schaltungen)
		042 ⇔ 047	Gobo 7 (Kreise)
		048 ⇔ 053	Gobo 8 (Wald)
		054 ⇔ 063	Gobo 9 (Ballistische Wolken)
		064 ⇔ 069	Gobo 9 Schütteln
		070 ⇔ 075	Gobo 8 Schütteln
		076 ⇔ 081	Gobo 7 Schütteln
		082 ⇔ 087	Gobo 6 Schütteln
		088 ⇔ 093	Gobo 5 Schütteln
		094 ⇔ 099	Gobo 4 Schütteln
		100 ⇔ 105	Gobo 3 Schütteln
		106 ⇔ 111	Gobo 2 Schütteln
		112 ⇔ 117	Gobo 1 Schütteln
118 ⇔ 127	Offen		
128 ⇔ 191	Gobo-Scroll im Uhrzeigersinn, langsam bis schnell		
192 ⇔ 255	Gobo-Scroll im Gegenuhrzeigersinn, langsam bis schnell		
17	Animationsrad	000 ⇔ 255	Animationseffekt
18	Animationsrad drehen	000 ⇔ 124	Im Uhrzeigersinn drehend, schnell bis langsam
		125 ⇔ 130	Halt
		131 ⇔ 255	Gobo-Scroll im Gegenuhrzeigersinn, schnell bis langsam
19	Fokus	000 ⇔ 255	0–100%
20	Zoomen	000 ⇔ 255	0–100%

SCHNELLANLEITUNG



DE

Kanal	Funktion	Wert	Prozent/Einstellung
21	Prisma	000 ⇔ 004 005 ⇔ 255	Keine Funktion Prismeneffekt
22	Rotierendes Prisma	000 ⇔ 127 128 ⇔ 189 190 ⇔ 193 194 ⇔ 255	Drehposition Im Uhrzeigersinn drehend, schnell bis langsam Halt Gegen den Uhrzeigersinn drehen, langsam bis schnell
23	Iris	000 ⇔ 063 064 ⇔ 127 128 ⇔ 191 192 ⇔ 255	0–100% Automatische Änderung, langsam bis schnell Langsam herauszoomen, schnell hineinzoomen Langsam zoomen, schnell verkleinern
24	Frost 1	000 ⇔ 255	0–100%
25	Frost 2	000 ⇔ 255	0–100%
26	Steuerung	000 ⇔ 007 008 ⇔ 015 016 ⇔ 023 024 ⇔ 031 032 ⇔ 039 040 ⇔ 047 048 ⇔ 055 056 ⇔ 095 096 ⇔ 103 104 ⇔ 111 112 ⇔ 119 120 ⇔ 127 128 ⇔ 135 136 ⇔ 143 144 ⇔ 151 152 ⇔ 159 160 ⇔ 167 168 ⇔ 175 176 ⇔ 183 184 ⇔ 191 192 ⇔ 199 200 ⇔ 207 208 ⇔ 215 216 ⇔ 220 221 ⇔ 225 226 ⇔ 230 231 ⇔ 235 236 ⇔ 240 241 ⇔ 245 246 ⇔ 250 251 ⇔ 255	Keine Funktion Blackout Schwenken / Neigen Farbe Blackout Gobo-Blackout Schwenken / Neigen / Farbe Blackout Schwenken / Neigen / Gobo-Blackout Schwenken / Neigen / Farbe / Gobo-Blackout Keine Funktion Schwenken zurücksetzen Neigen zurücksetzen Farbe zurücksetzen Gobo zurücksetzen Keine Funktion Setzen Sie das Prisma zurück Alles zurückgesetzt Iris zurückgesetzt Frost zurückgesetzt Zoom zurücksetzen CMY zurücksetzen Lüfter mit niedriger Geschwindigkeit Lüfter volle Geschwindigkeit Automatischer Lüfter Keine Funktion Iris-Schnellmodus Iris im sanften Modus Schwenk- / Neigungswechsel Schwenken / Neigen auf Schwenken / Neigen ausschalten Keine Funktion Schwenk- / Neigungsmodus glatt Schwenk- / Neigungsmodus schnell

Over deze handleiding

De Maverick Storm 1 Spot Beknopte Handleiding (BH) bevat basisinformatie over het product, zoals aansluiting, montage, menu-opties en DMX-waarden. Download de gebruikershandleiding op www.chauvetprofessional.com voor meer informatie.

Disclaimer

De informatie en specificaties in deze BH kunnen zonder voorafgaande kennisgeving worden gewijzigd.

BEPERKTE GARANTIE

GA NAAR ONZE WEBSITE VOOR REGISTRATIE VAN DE GARANTIE EN DE VOLLEDIGE ALGEMENE VOORWAARDEN.

Voor klanten in de Verenigde Staten en Mexico: www.chauvetlighting.com/warranty-registration.

Voor klanten in het Verenigd Koninkrijk, Ierland, België, Nederland, Luxemburg, Frankrijk en Duitsland: www.chauvetlighting.eu/warranty-registration.

Chauvet garandeert dat dit product bij normaal gebruik vrij zal blijven van defecten in materiaal en vakmanschap, voor de opgegeven periode en onder voorbehoud van de uitzonderingen en beperkingen die zijn uiteengezet in de volledige beperkte garantie op onze website. Deze garantie geldt uitsluitend voor de oorspronkelijke koper van het product en is niet overdraagbaar. Om onder deze garantie rechten uit te oefenen, moet u een aankoopbewijs overleggen in de vorm van een origineel verkoopbewijs van een geautoriseerde dealer, waarop de naam van het product en de aankoopdatum zichtbaar zijn. ER ZIJN GEEN ANDERE EXPLICIETE OF IMPLICIETE GARANTIES. Deze garantie geeft u specifieke wettelijke rechten. Mogelijk heeft u ook andere rechten die van staat tot staat en van land tot land verschillen. Deze garantie is uitsluitend geldig in de Verenigde Staten, het Verenigd Koninkrijk, Ierland, België, Nederland, Luxemburg, Frankrijk, Duitsland en Mexico. Neem contact op met uw lokale verkoper voor garantievoorwaarden in andere landen.

Veiligheidsinstructies

Deze veiligheidsinstructies bevatten belangrijke informatie over de installatie, het gebruik en het onderhoud.

- Open het product NIET. Het bevat geen te onderhouden onderdelen.
- KIJK NIET in de lichtbron wanneer het apparaat is ingeschakeld.
- Om onnodige slijtage te elimineren en zijn levensduur te verlengen, gedurende perioden wanneer het product niet wordt gebruikt, moet u het product van de stroom afsluiten door een aardlekschakelaar om te zetten of door het te ontkoppelen.
- LET OP: Bij het verplaatsen van het product uit extreme omgevingen, (bijv. koude vrachtwagen naar warme, vochtige balzaal) kan er condensvorming optreden op de elektronica van het product. Om storingen te vermijden moet het product volledig kunnen acclimatiseren aan de omgeving voordat het op stroom wordt aangesloten.
- LET OP: De behuizing van dit product kan heet zijn wanneer het in bedrijf is.
- Monteer dit product op een plek met voldoende ventilatie, ten minste 50 cm van de aangrenzende oppervlakken.
- Plaats geen ontvlambaar materiaal binnen 50 cm van dit product als het in gebruik is of is aangesloten op het stopcontact.
- GEBRUIK een veiligheidskabel bij het boven het hoofd plaatsen van dit product.
- Dit product NIET onderdompelen (IP65). Regelmatig gebruik buitenshuis is prima.
- Gebruik dit product NIET als de behuizing, lenzen of kabels beschadigd lijken.
- Sluit dit product NIET aan op een dimmer of een regelweerstand.
- Sluit dit product UITSLUITEND op een geaard en beveiligd stroomcircuit.
- Gebruik UITSLUITEND de ophang-/montagebeugels of de hendels om dit product te dragen.
- Stop in het geval van ernstige operationele problemen onmiddellijk met het gebruik.
- De maximale omgevingstemperatuur bedraagt 45 °C. Gebruik dit product niet bij hogere temperaturen.
- De minimale opstarttemperatuur is -20° C. Start het product niet op bij lagere temperaturen.
- De minimale omgevingstemperatuur is -30 °C. Gebruik het product niet bij lagere temperaturen.

FCC-naleving

Dit apparaat voldoet aan Part 15 Part B van de FCC-regels. Het gebruik is onderworpen aan de volgende twee voorwaarden:

1. Dit apparaat mag geen schadelijke interferentie veroorzaken, en
2. Dit apparaat moet enige ontvangen interferentie accepteren, inclusief interferentie die een ongewenste werking kan veroorzaken.

Eventuele wijzigingen of aanpassingen die niet uitdrukkelijk door de voor naleving verantwoordelijke partij zijn goedgekeurd, kan de bevoegdheid van de gebruiker om de apparatuur te bedienen ongeldig verklaren.

RF-blootstellingswaarschuwing voor Noord-Amerika en Australië

Waarschuwing! Deze apparatuur voldoet aan de FCC-limieten voor blootstelling aan straling die zijn vastgesteld voor een ongecontroleerde omgeving. Deze apparatuur moet geplaatst en gebruikt worden met een minimale afstand van 20 cm tussen de radiator en uw lichaam. Deze zender mag niet op dezelfde locatie worden gebruikt als of geplaatst worden bij een andere antenne of zender.

Contact

Van buiten de VS, Verenigd Koninkrijk, Ierland, Benelux, Frankrijk, Duitsland of Mexico kunt u contact opnemen met de distributeur of om ondersteuning vragen dan wel het product retourneren. Raadpleeg [Contact Us](#) aan het einde van deze BH voor contactinformatie.

Wat is inbegrepen

- Maverick Storm 1 Spot
- Seetronic Powerkon IP65 stroomsnoer
- 2 Omegabeugels met bevestigingsapparatuur
- Beknopte handleiding

AC-stroom

Dit product heeft een voeding met automatisch bereik die werkt met een ingangsspanning van 100–240 VAC, 50/60 Hz.

AC-stekker

Aansluiting	Snoer (VS)	Snoer (Europa)	Schroefkleur
AC Live	Zwart	Bruin	Geel/messing
AC Neutraal	Wit	Blauw	Zilver
AC Aarde	Groen/geel	Groen/geel	Groen



Om onnodige slijtage te elimineren en zijn levensduur te verlengen, gedurende perioden wanneer het product niet wordt gebruikt, moet u het product van de stroom afsluiten door een aardlekschakelaar om te zetten of door het te ontkoppelen.

Vervangen van de zekering

1. Ontkoppel dit product van de stroom.
2. Gebruik een kruiskopschroevendraaier en schroef de kap van de zekeringshouder los van de behuizing.
3. Verwijder de doorgebrande zekering en vervang het met een werkende zekering van hetzelfde type en met dezelfde waarde.
4. Schroef de kap van de zekeringhouder terug en steek de stekker er weer in.

DMX-koppeling

De Maverick MK1 Spot kan met een DMX-controller werken met een normale DMX seriële verbinding. Op www.chauvetprofessional.com is een DMX basishandleiding verkrijgbaar.

DMX-aansluiting

De Maverick MK1 Spot gebruikt een normale DMX-gegevensverbinding voor zijn DMX-persoonlijkheden: **33Ch**, en **26Ch**. Zie de gebruikershandleiding om te verbinden en te configureren voor DMX-werking.

Signaal-verbindingen

U kunt de Maverick MK1 Spot aansluiten op een controller of controllersoftware met behulp van een DMX-aansluiting, een ethernetverbinding of beide.. Bij het gebruik van andere Art-Net™, sACN, of Kling-Net-compatible producten met de Maverick MK1 Spot, kunt u deze individueel aansturen op een enkel netwerk. Zie de gebruikershandleiding voor meer informatie over het verbinden en configureren van het product voor deze signalen.

Art-Net™ aansluiting

Art-Net™ is een ethernet-protocol dat gebruikmaakt van TCP/IP dat over een groot netwerk grote hoeveelheden DMX512-gegevens verzendt met behulp van een etherCON RJ45-verbinding. Een Art-Net™-protocoldocument is te verkrijgen op www.chauvetprofessional.com. Chauvet Professional raadt het gebruik van unicast-modus voor het beste resultaat.

Art-Net™ ontworpen en auteursrecht door Artistic Licence Holdings Ltd.

sACN-aansluiting

Streaming-ACN staat ook wel bekend als ANSI E1.31 en is een ethernetprotocol dat de laag- en opmaakstructuur gebruikt van Architecture for Control Networks om DMX512-gegevens te transporteren over IP of een ander ACN compatibel netwerk. ACN wordt onderhouden door de Professional Lighting and Sound Association (PLASA).

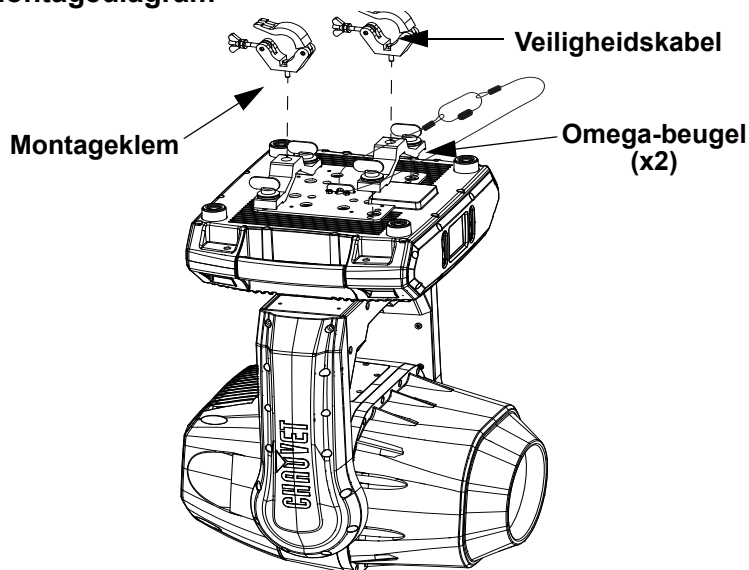
RDM (apparaatbeheer op afstand)

Remote Device Management of RDM (apparaatbeheer op afstand) is een standaard die het voor DMX-apparaten mogelijk maakt om in twee richtingen te communiceren over bestaande DMX-kabels. De Maverick MK1 Spot ondersteunt het RDM-protocol dat zorgt feedback toelaat bij de bewaking van wijzigingen aan de menu map-opties van. Download de gebruikershandleiding op www.chauvetprofessional.com voor meer informatie.

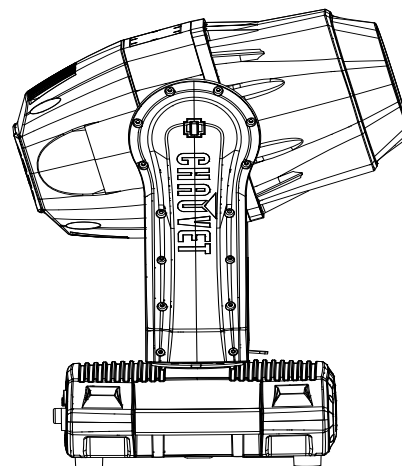
Montage

Lees alvorens dit product te monteren alle [Veiligheidsinstructies](#). Gebruik ten minste twee montagepunten per product. Controleer of de montageklem het gewicht van het product kan dragen. Ga voor onze Chauvet-serie montageklemmen naar <http://trusst.com/products>.

Montagediagram



Montage-boven het hoofd



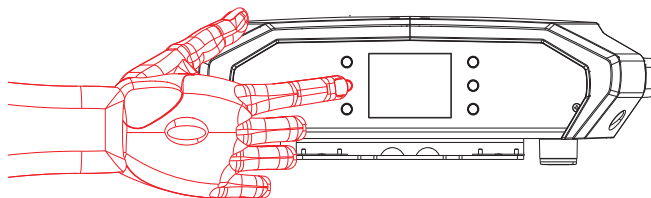
Plaatsing op de vloer

Beschrijving bedieningspaneel

Toets	Naam	Functie
< ↑ >	<UP>	Navigeert omhoog via het menu of verhoogt de numerieke waarde wanneer in een functie
< ≡ >	<MENU>	Sluit het huidige menu of functie af
< ↓ >	<DOWN>	Navigeert omlaag via het menu of verlaagt de numerieke waarde wanneer in een functie
< ← >	<LEFT>	Navigeert naar links door de menulijst
< ↵ >	<ENTER>	Activeert het huidige getoonde menu of plaatst de huidige geselecteerde waarde in de geselecteerde functie
< → >	<RIGHT>	Navigeert naar rechts door de menulijst

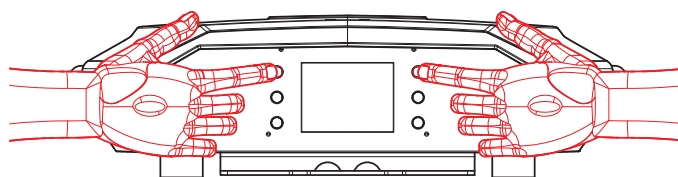
Display op batterijstroom

Ingedrukt houden totdat het menuscherm verschijnt (ongeveer 15 sec).



Volgmodus

De volgmodus schakelt de draai- en kantelmotoren uit, zodat de output van het product met de hand kan worden gericht. Houd <UP> en <LEFT> ingedrukt terwijl het product wordt ingeschakeld om de volgspotmodus van de Maverick Storm 1 Spot in te schakelen. Wanneer het product wordt uit- en weer ingeschakeld, keren de pan en tilt terug naar de normale functie.



Menukaart

Hoofdniveau	Programmeerniveaus	Beschrijving	
Address	000-512	Netwerkinstelling	
Network Setup	IP Mode	Manual DHCP Static	
	Universe	000-255	
	Ip	---'---'---'---	
	SubMask	---'---'---'---	
Personality	DMX 26CH	NO YES	
	DMX 33CH	NO YES	
	Control Mode	DMX	Signaalselectie
		WDMX	
ArtNet			
sACN			
Pan Reverse	NO YES	De zwenking omkeren	
	NO YES		
Tilt Reverse	NO YES	Zwenking omkeren	
	NO YES		
Screen Reverse	NO YES	Het scherm handmatig of automatisch omdraaien	
	AUTO		
Settings	Pan Angle	540	De zwenkhoek wijzigen
		360	
		180	
	Tilt Angle	270	De kantelhoek wijzigen
		180	
		90	
	BL. O. P/T Move	NO YES	XY-verduistering inschakelen/ uitschakelen
		NO YES	
	BL. O. Color Move	NO YES	Kleurverduistering inschakelen/ uitschakelen
		NO YES	
	BL. O. Gobo Move	NO YES	Goboverduistering inschakelen/ uitschakelen
		NO YES	
Lock Screen	NO YES	Lock knoppen en aanraakscherm	
	NO YES		
Swap X/Y	NO YES	De kanteling en zwenking omwisselen	
	NO YES		
WDMX Reset	NO YES	De draadloze DMX resetten	
	NO YES		
Backlight Timer	30S	Stel in dat de achtergrondverlichting zich na een bepaalde tijd uitschakelt	
	1M		
	5M		
	ON		
Loss of Data	Hold	Verlies van gegevensinstelling	
	Close		

Hoofdniveau	Programmeerniveaus		Beschrijving
Settings (vervolg)	Fans	Auto	De snelheidsmodus van de ventilator wijzigen
		Full	
		ECO	
	Theatrical Dimming	ON	Theatraal dimmen in- / uitschakelen
		OFF	
	Dimmer Curve	Linear	Stelt de dimcurve in
		Square	
		I Squa	
		SCurve	
	PWM Option	600Hz	Selecteert de PWM-uitgangsfrequentie
		1200Hz	
		2000Hz	
		4000Hz	
		6000Hz	
	Smart Zoom	OFF	Schakel de slimme zoomfunctie in / uit
		ON	
Beam Correction	OFF	Schakel de straalcorrectie in / uit	
	ON		
Preset Select	PRESET A	OpgenoOpgenomen vooringestelde menuopties	
	PRESET B		
	PRESET C		
Preset Sync	NO	Zorgt ervoor dat opgenomen vooringestelde menuopties worden overgezet op andere Maverick Storm 1 Spot in de DMX-keten	
	YES		
Reset Function	Pan/Tilt	NO/YES	Selecteert de PWM-uitgangsfrequentie
	Iris/Prism		
	Color/CMY		Selecteert de PWM-uitgangsfrequentie
	Gobo/Gobo Rotate		
	Frost		
All			
Factory Settings	NO	Alle functies resetten naar fabrieksinstellingen	
	YES		

Hoofdniveau	Programmeerniveaus		Beschrijving	
Test	Auto Test		Het product automatisch testen	
	Manual Test	Pan	000–255	Elke functie/elk kanaal individueel testen
		Pan Fine		
		Tilt		
		Tilt Fine		
		P/T Speed		
		Dimmer		
		Dimmer Fine		
		Shutter		
		Virtual Shaking		
		Cyan		
		Magenta		
		Yellow		
		CTO		
		Color		
		Gobo		
		Gobo Rotate		
		Gobo Index		
		Gobo2		
		Animation		
		Animation Rotate		
		Focus		
		Focus Fine		
		Focus Auto		
		Zoom		
		Zoom Fine		
		Prism		
		Prism Rotate		
		Iris		
		Frost		
Frost2				
CMY Macro				
CMY Macro Speed				
Special Function				

Hoofdniveau	Programmeerniveaus		Beschrijving	
Information	Fixture Information	Ver	V_	Huidige versie
		Running Mode	---	Huidige modus
		DMX Address	---	
		Temperature	---	Huidige temperatuur
		Fixture Hours	-----	Huidige actieve uren
		Ip	-----	Huidige IP-adres
		SubMask	-----	Huidige subnet mask
		MAC	-----	MAC-adres
	Fan Information	Base Fan1 Speed	----	Toon snelheidsinstelling
		Base Fan2 Speed	----	
		head Fan1 Speed	----	
		head Fan2 Speed	----	
	Error Information	-----		Verschijnt op het scherm
	Channel Information	Frequency	Hz	Status van individueel kanaal
		Pan	000–255	
		Pan Fine		
		Tilt		
		Tilt Fine		
		P/T Speed		
		Dimmer		
		Dimmer Fine		
		Shutter		
		Virtual Shaking		
		Cyan		
		Magenta		
		Yellow		
		CTO		
		Color		
		Gobo		
		Gobo Rotate		
		Gobo Index		
		Gobo2		
Animation				
Animation Rotate				
Focus				
Focus Fine				
Focus Auto				
Zoom				
Zoom Fine				
Prism				
Prism Rotate				
Iris				
Frost				
Frost2				
CMY Macro				
CMY Macro Speed				
Special Function				

NL

DMX-waarden

33Ch

Kanaal	Functie	Waarde	Percentage/instelling
1	Zwenken	000 ⇔ 255	0–100%
2	Fijn zwenken	000 ⇔ 255	0–100%
3	Kantelen	000 ⇔ 255	0–100%
4	Fijn kantelen	000 ⇔ 255	0–100%
5	Zwenk-/ kantelsnelheid	000 ⇔ 255	0–100%
6	Dimmer	000 ⇔ 255	0–100%
7	Fijne Dimmer	000 ⇔ 255	0–100%
8	Sluiter	000 ⇔ 003 004 ⇔ 007 008 ⇔ 076 077 ⇔ 145 146 ⇔ 215 216 ⇔ 255	Gesloten Open Langzaam tot snel Pulseffect van langzaam tot snel Willekeurig effect van langzaam tot snel Gesloten
9	Virtuele sluiters	000 ⇔ 001 002 ⇔ 128 129 ⇔ 255	Geen functie Stroboscoop trillen, snel naar langzaam Vervagen in / verdwijnen, snel naar langzaam
10	Cyaan	000 ⇔ 255	0–100%
11	Magenta	000 ⇔ 255	0–100%
12	Geel	000 ⇔ 255	0–100%
13	CTO	000 ⇔ 255	0–100%
14	Kleurenwiel	000 ⇔ 006 007 ⇔ 013 014 ⇔ 020 021 ⇔ 027 028 ⇔ 034 035 ⇔ 041 042 ⇔ 048 049 ⇔ 059 060 ⇔ 187 188 ⇔ 219 220 ⇔ 223 224 ⇔ 255	Open Rood Oranje Groen Blauw Magenta UV CTO Gespleten kleuren Kleurwijziging met de klok mee, snel tot langzaam Stop Kleurwijziging tegen de klok in, langzaam tot snel
15	Roterend Gobowiel 1	000 ⇔ 007 008 ⇔ 015 016 ⇔ 023 024 ⇔ 031 032 ⇔ 039 040 ⇔ 047 048 ⇔ 055 056 ⇔ 063 064 ⇔ 071 072 ⇔ 079 080 ⇔ 087 088 ⇔ 095 096 ⇔ 103 104 ⇔ 111 112 ⇔ 119 120 ⇔ 127 128 ⇔ 191 192 ⇔ 255	Open Gobo 1 (Zeilboten) Gobo 2 (Radiale punt) Gobo 3 (Grasmaaiërblad) Gobo 4 (Bouten) Gobo 5 (Douche glas) Gobo 6 (Ballistische wolken) Gobo 7 (Vier ogen) Gobo 7 schudden Gobo 6 schudden Gobo 5 schudden Gobo 4 schudden Gobo 3 schudden Gobo 2 schudden Gobo 1 schudden Open Gobowijziging met de klok mee, snel tot langzaam Gobowijziging tegen de klok in, langzaam tot snel
16	Gobo roterend 1	000 ⇔ 063 064 ⇔ 145 146 ⇔ 151 152 ⇔ 231 232 ⇔ 255	Roterende gobo index Roteren met de klok mee, langzaam tot snel Stop Tegen de klok in roteren, langzaam tot snel Stuitereffect
17	Gobo-wiel 1 oplopende index	000 ⇔ 255	0–100%

Kanaal	Functie	Waarde	Percentage/instelling
18	Statisch Gobo-wiel 2	000 ⇄ 005	Open
		006 ⇄ 011	Gobo 1 (Lichtstraal)
		012 ⇄ 017	Gobo 2 (Bars)
		018 ⇄ 023	Gobo 3 (Cirkels)
		024 ⇄ 029	Gobo 4 (Breken)
		030 ⇄ 035	Gobo 5 (Dots)
		036 ⇄ 041	Gobo 6 (Circuits)
		042 ⇄ 047	Gobo 7 (Driehoeken)
		048 ⇄ 053	Gobo 8 (Bos)
		054 ⇄ 063	Gobo 9 (Rainbows)
		064 ⇄ 069	Gobo 9 schudden
		070 ⇄ 075	Gobo 8 schudden
		076 ⇄ 081	Gobo 7 schudden
		082 ⇄ 087	Gobo 6 schudden
		088 ⇄ 093	Gobo 5 schudden
		094 ⇄ 099	Gobo 4 schudden
		100 ⇄ 105	Gobo 3 schudden
		106 ⇄ 111	Gobo 2 schudden
112 ⇄ 117	Gobo 1 schudden		
118 ⇄ 127	Open		
128 ⇄ 191	Gobowijziging met de klok mee, snel tot langzaam		
192 ⇄ 255	Gobowijziging tegen de klok in, langzaam tot snel		
19	Animatiewiel	000 ⇄ 255	0–100%
20	Roterend animatiewiel	000 ⇄ 124	Roteren met de klok mee, langzaam tot snel
		125 ⇄ 130	Stop
		131 ⇄ 255	Tegen de klok in roteren, langzaam tot snel
21	Focus	000 ⇄ 255	0–100%
22	Fijne Focus	000 ⇄ 255	0–100%
23	Auto Focus	000 ⇄ 010	Geen functie
		011 ⇄ 030	0–5 m
		031 ⇄ 050	6 m
		051 ⇄ 070	7 m
		071 ⇄ 090	8 m
		091 ⇄ 110	9 m
		111 ⇄ 130	10 m
		131 ⇄ 150	12,5 m
		151 ⇄ 170	15 m
		171 ⇄ 190	17,5 m
191 ⇄ 210	20–60 m		
211 ⇄ 255	Automatische detectie afstand		
24	Zoom	000 ⇄ 255	0–100%
25	Fijne Zoom	000 ⇄ 255	0–100%
26	Prisma	000 ⇄ 004	Geen functie
		005 ⇄ 255	PrismaEffect
27	Prisma roteren	000 ⇄ 127	Roterende positie
		128 ⇄ 189	Roteren met de klok mee, langzaam tot snel
		190 ⇄ 193	Stop
		194 ⇄ 255	Roteren tegen de klok in, snel tot langzaam
28	Iris	000 ⇄ 063	0–100%
		064 ⇄ 127	Auto verandering, langzaam tot snel
		128 ⇄ 191	Langzaam inzoomen, snel uitzoomen (langzaam tot snel)
		192 ⇄ 255	Langzaam uitzoomen, snel inzoomen (langzaam tot snel)
29	Frost 1	000 ⇄ 255	0–100%
30	Frost 2	000 ⇄ 255	0–100%
31	CMY Macro	000 ⇄ 009	Geen functie
		010 ⇄ 255	CMY macro
32	CMY macrosnelheid	000 ⇄ 255	100%–0

Kanaal	Functie	Waarde	Percentage/instelling
33	Regeling	000 ⇔ 007	Geen functie
		008 ⇔ 015	XY-verduistering
		016 ⇔ 023	C-verduistering
		024 ⇔ 031	G-verduistering
		032 ⇔ 039	XYC-verduistering
		040 ⇔ 047	XYG-verduistering
		048 ⇔ 055	XYCG-verduistering
		056 ⇔ 095	Geen functie
		096 ⇔ 103	X reset
		104 ⇔ 111	Y reset
		112 ⇔ 119	Kleurenreset
		120 ⇔ 127	Reset gobo
		128 ⇔ 135	Geen functie
		136 ⇔ 143	Prismareset
		144 ⇔ 151	Geen functie
		152 ⇔ 159	Reset alle
		160 ⇔ 167	Iris reset
		168 ⇔ 175	Resetten frost
		176 ⇔ 183	Zoomherstel
		184 ⇔ 191	CMY reset
		192 ⇔ 199	Ventilator lage snelheid
		200 ⇔ 207	Ventilator volle snelheid
		208 ⇔ 215	Ventilator auto
		216 ⇔ 220	Geen functie
		221 ⇔ 225	Iris snelle modus
		226 ⇔ 230	Iris soepele modus
		231 ⇔ 235	XY-wissel aan
		236 ⇔ 240	XY-wissel uit
241 ⇔ 245	Geen functie		
246 ⇔ 250	XY-soepele modus		
251 ⇔ 255	XY-snelle modus		

26Ch

Kanaal	Functie	Waarde	Percentage/instelling
1	Zwenken	000 ⇔ 255	0–100%
2	Fijn zwenken	000 ⇔ 255	0–100%
3	Kantelen	000 ⇔ 255	0–100%
4	Fijn kantelen	000 ⇔ 255	0–100%
5	Zwenk-/kantelsnelheid	000 ⇔ 255	0–100%
6	Dimmer	000 ⇔ 255	0–100%
7	Sluiter	000 ⇔ 003	Gesloten
		004 ⇔ 007	Open
		008 ⇔ 076	Langzaam tot snel
		077 ⇔ 145	Pulseffect van langzaam tot snel
		146 ⇔ 215	Willekeurig effect van langzaam tot snel
		216 ⇔ 255	Open
8	Virtuele sluiters	000 ⇔ 001	Geen functie
		002 ⇔ 128	Stroboscoop trillen , snel naar langzaam
		129 ⇔ 255	Vervagen in / verdwijnen, snel naar langzaam
9	Cyaan	000 ⇔ 255	0–100%
10	Magenta	000 ⇔ 255	0–100%
11	Geel	000 ⇔ 255	0–100%
12	CTO	000 ⇔ 255	0–100%
13	Kleurenwiel	000 ⇔ 006	Open
		007 ⇔ 013	Rood
		014 ⇔ 020	Oranje
		021 ⇔ 027	Groen
		028 ⇔ 034	Blauw
		035 ⇔ 041	Magenta
		042 ⇔ 048	UV
		049 ⇔ 059	CTO
		060 ⇔ 187	Gespleten kleuren
		188 ⇔ 219	Kleurwijziging met de klok mee, snel tot langzaam
		220 ⇔ 223	Stop
		224 ⇔ 255	Kleurwijziging tegen de klok in, langzaam tot snel
		14	Roterend Gobowiel 1
008 ⇔ 015	Gobo 1 (Zeilboten)		
016 ⇔ 023	Gobo 2 (Rainbows)		
024 ⇔ 031	Gobo 3 (Radiale punt)		
032 ⇔ 039	Gobo 4 (Bouten)		
040 ⇔ 047	Gobo 5 (Vier ogen)		
048 ⇔ 055	Gobo 6 (Dots)		
056 ⇔ 063	Gobo 7 (Douche glas)		
064 ⇔ 071	Gobo 7 schudden		
072 ⇔ 079	Gobo 6 schudden		
080 ⇔ 087	Gobo 5 schudden		
088 ⇔ 095	Gobo 4 schudden		
096 ⇔ 103	Gobo 3 schudden		
104 ⇔ 111	Gobo 2 schudden		
112 ⇔ 119	Gobo 1 schudden		
120 ⇔ 127	Open		
128 ⇔ 191	Gobowijziging met de klok mee, snel tot langzaam		
192 ⇔ 255	Gobowijziging tegen de klok in, langzaam tot snel		
15	Gobo roterend 1		
		064 ⇔ 145	Roteren met de klok mee, langzaam tot snel
		146 ⇔ 151	Stop
		152 ⇔ 231	Tegen de klok in roteren, langzaam tot snel
		232 ⇔ 255	Stuitereffect

Kanaal	Functie	Waarde	Percentage/instelling
16	Statisch Gobo-wiel 2	000 ⇄ 005	Open
		006 ⇄ 011	Gobo 1 (Bars)
		012 ⇄ 017	Gobo 2
		018 ⇄ 023	Gobo 3 (Breken)
		024 ⇄ 029	Gobo 4
		030 ⇄ 035	Gobo 5 (Driehoeken)
		036 ⇄ 041	Gobo 6 (Circuits)
		042 ⇄ 047	Gobo 7 (Cirkels)
		048 ⇄ 053	Gobo 8 (Bos)
		054 ⇄ 063	Gobo 9 (Ballistische wolken)
		064 ⇄ 069	Gobo 9 schudden
		070 ⇄ 075	Gobo 8 schudden
		076 ⇄ 081	Gobo 7 schudden
		082 ⇄ 087	Gobo 6 schudden
		088 ⇄ 093	Gobo 5 schudden
		094 ⇄ 099	Gobo 4 schudden
		100 ⇄ 105	Gobo 3 schudden
106 ⇄ 111	Gobo 2 schudden		
112 ⇄ 117	Gobo 1 schudden		
118 ⇄ 127	Open		
128 ⇄ 191	Gobowijziging met de klok mee, snel tot langzaam		
192 ⇄ 255	Gobowijziging tegen de klok in, langzaam tot snel		
17	Animatiewiel	000 ⇄ 255	0–100%
18	Roterend animatiewiel	000 ⇄ 124	Roteren met de klok mee, langzaam tot snel
		125 ⇄ 130	Stop
		131 ⇄ 255	Tegen de klok in roteren, langzaam tot snel
19	Focus	000 ⇄ 255	0–100%
20	Zoom	000 ⇄ 255	0–100%
21	Prisma	000 ⇄ 004	Geen functie
		005 ⇄ 255	PrismaEffect
22	Prisma roteren	000 ⇄ 127	Roterende positie
		128 ⇄ 189	Roteren met de klok mee, langzaam tot snel
		190 ⇄ 193	Stop
		194 ⇄ 255	Roteren tegen de klok in, snel tot langzaam
23	Iris	000 ⇄ 063	Groot tot klein
		064 ⇄ 127	Auto verandering, langzaam tot snel
		128 ⇄ 191	Langzaam inzoomen, snel uitzoomen (langzaam tot snel)
		192 ⇄ 255	Langzaam uitzoomen, snel inzoomen (langzaam tot snel)
24	Frost 1	000 ⇄ 255	0–100%
25	Frost 2	000 ⇄ 255	0–100%

Kanaal	Functie	Waarde	Percentage/instelling
26	Regeling	000 ⇄ 007	Geen functie
		008 ⇄ 015	XY-verduistering
		016 ⇄ 023	C-verduistering
		024 ⇄ 031	G-verduistering
		032 ⇄ 039	XYC-verduistering
		040 ⇄ 047	XYG-verduistering
		048 ⇄ 055	XYCG-verduistering
		056 ⇄ 095	Geen functie
		096 ⇄ 103	X reset
		104 ⇄ 111	Y reset
		112 ⇄ 119	Kleurenreset
		120 ⇄ 127	Reset gobo
		128 ⇄ 135	Geen functie
		136 ⇄ 143	Prismareset
		144 ⇄ 151	Geen functie
		152 ⇄ 159	Reset alle
		160 ⇄ 167	Iris reset
		168 ⇄ 175	Resetten frost
		176 ⇄ 183	Zoomherstel
		184 ⇄ 191	CMY reset
		192 ⇄ 199	Ventilator lage snelheid
		200 ⇄ 207	Ventilator volle snelheid
		208 ⇄ 215	Ventilator auto
		216 ⇄ 220	Geen functie
		221 ⇄ 225	Iris snelle modus
		226 ⇄ 230	Iris soepele modus
		231 ⇄ 235	XY-wissel aan
236 ⇄ 240	XY-wissel uit		
241 ⇄ 245	Geen functie		
246 ⇄ 250	XY-soepele modus		
251 ⇄ 255	XY-snelle modus		

Contact Us

General Information	Technical Support
Chauvet World Headquarters	
Address: 5200 NW 108th Ave. Sunrise, FL 33351 Voice: (954) 577-4455 Fax: (954) 929-5560 Toll Free: (800) 762-1084	Voice: (844) 393-7575 Fax: (954) 756-8015 Email: chauvetcs@chauvetlighting.com Website: www.chauvetprofessional.com
Chauvet Europe Ltd	
Address: Unit 1C Brookhill Road Industrial Estate Pinxton, Nottingham, UK NG16 6NT Voice: +44 (0) 1773 511115 Fax: +44 (0) 1773 511110	Email: UKtech@chauvetlighting.eu Website: www.chauvetprofessional.eu
Chauvet Europe BVBA	
Address: Stokstraat 18 9770 Kruishoutem Belgium Voice: +32 9 388 93 97	Email: BNLtech@chauvetlighting.eu Website: www.chauvetprofessional.eu
Chauvet France	
Address: 3, Rue Ampère 91380 Chilly-Mazarin France Voice: +33 1 78 85 33 59	Email: FRtech@chauvetlighting.fr Website: www.chauvetprofessional.eu
Chauvet Germany	
Address: Bruno-Bürgel-Str. 11 28759 Bremen Germany Voice: +49 421 62 60 20	Email: DEtech@chauvetlighting.de Website: www.chauvetprofessional.eu
Chauvet Mexico	
Address: Av. de las Partidas 34 - 3B (Entrance by Calle 2) Zona Industrial Lerma Lerma, Edo. de México, CP 52000 Voice: +52 (728) 690-2010	Email: servicio@chauvet.com.mx Website: www.chauvetprofessional.mx

Visit the applicable website above to verify our contact information and instructions to request support. Outside the US, United Kingdom, Ireland, Benelux, France, Germany, or Mexico, contact the dealer of record.



UL 1573
CSA C22.2 No. 166
E113093

