

DOUGHTY

DOUGHTY ENGINEERING LTD

Part No:

T84120

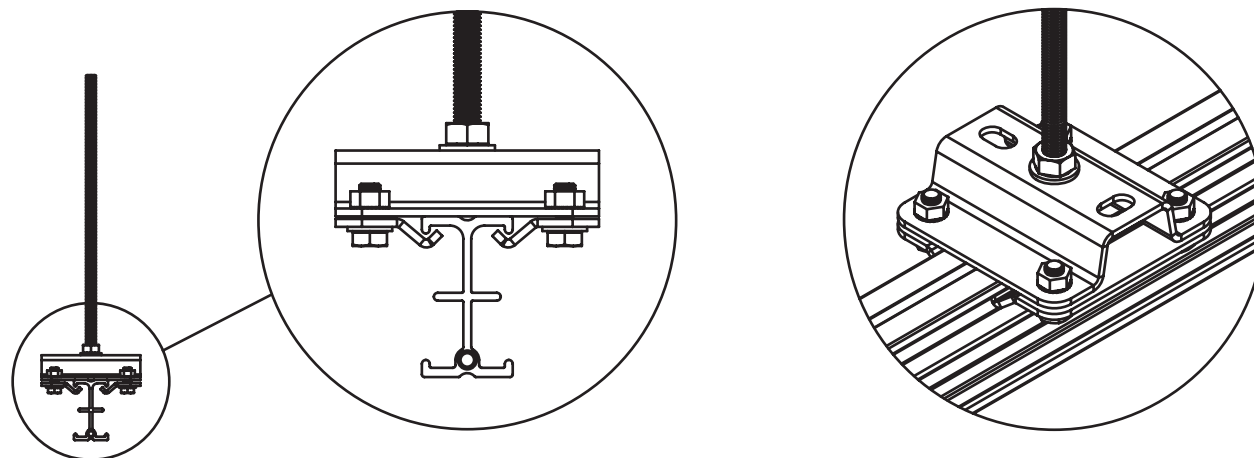
Description:

CEILING BRACKET (25MM)

Weight:

0.51 Kg

SWL: 100 KG



MAXIMUM DISTANCE BETWEEN SUPPORTS = 1500MM

